



Datacard[®] SD160[™]/SD260[™] Card Printers

User's Guide

February 2015

Part No. 527526-001, Rev. A

Notice

Please do not attempt to operate or repair this equipment without adequate training. Any use, operation or repair you perform that is not in accordance with the information contained in this documentation is at your own risk.

Trademark Acknowledgments

Datacard is a registered trademark and service mark of Entrust Datacard Corporation in the United States and other countries.

MasterCard is a registered trademark of MasterCard International Incorporated.

Visa is a registered trademark of Visa International Service Association.

All other product names are the property of their respective owners.

Proprietary Notice

The design and information contained in these materials are protected by US and international copyright laws.

All drawings and information herein are the property of Entrust Datacard Corporation. All unauthorized use and reproduction is prohibited.

Entrust Datacard
1187 Park Place
Shakopee, MN 55379
Phone: 952-933-1223
Fax: 952-933-7971
www.entrustdatacard.com

Copyright © 2015 Entrust Datacard Corporation. All rights reserved.

MicroECC
Copyright (c) 2013, Kenneth MacKay
All rights reserved.

Redistribution and use in source and binary forms, with or without modification, are permitted provided that the following conditions are met:

- Redistributions of source code must retain the above copyright notice, this list of and the following disclaimer.
- Redistributions in binary form must reproduce the above copyright notice, this list of conditions and the following disclaimer in the documentation and/or other materials provided with the distribution.

THIS SOFTWARE IS PROVIDED BY THE COPYRIGHT HOLDERS AND CONTRIBUTORS "AS IS" AND ANY EXPRESS OR IMPLIED WARRANTIES, INCLUDING, BUT NOT LIMITED TO, THE IMPLIED WARRANTIES OF MERCHANTABILITY AND FITNESS FOR A PARTICULAR PURPOSE ARE DISCLAIMED. IN NO EVENT SHALL THE COPYRIGHT HOLDER OR CONTRIBUTORS BE LIABLE FOR ANY DIRECT, INDIRECT, INCIDENTAL, SPECIAL, EXEMPLARY, OR CONSEQUENTIAL DAMAGES (INCLUDING, BUT NOT LIMITED TO, PROCUREMENT OF SUBSTITUTE GOODS OR SERVICES; LOSS OF USE, DATA, OR PROFITS; OR BUSINESS INTERRUPTION) HOWEVER CAUSED AND ON ANY THEORY OF LIABILITY, WHETHER IN CONTRACT, STRICT LIABILITY, OR TORT (INCLUDING NEGLIGENCE OR OTHERWISE) ARISING IN ANY WAY OUT OF THE USE OF THIS SOFTWARE, EVEN IF ADVISED OF THE POSSIBILITY OF SUCH DAMAGE.

Compliance Statements

Liability

The WARNING and CAUTION labels have been placed on the equipment for your safety. Please do not attempt to operate or repair this equipment without adequate training. Any use, operation, or repair in contravention of this document is at your own risk.

Safety

All Datacard® products are built to strict safety specifications in accordance with CSA/UL60950-1 requirements and the Low Voltage Directive 2006/95/EC.

Therefore, safety issues pertaining to operation and repair of **Datacard®** equipment are primarily environmental and human interface.

The following basic safety tips are given to ensure safe installation, operation, and maintenance of **Datacard** equipment.

- Connect equipment to a grounded power source. Do not defeat or bypass the ground lead.
- Place the equipment on a stable surface (table) and ensure floors in the work area are dry and non-slip.
- Know the location of equipment branch circuit interrupters or circuit breakers and how to turn them on and off in case of emergency.
- Know the location of fire extinguishers and how to use them. ABC type extinguishers may be used on electrical fires.
- Know local procedures for first aid and emergency assistance at the customer facility.
- Use adequate lighting at the equipment location.
- Maintain the recommended temperature and humidity range in the equipment area.

Regulatory Compliance

Notice for USA (FCC notice)

This equipment has been tested and found to comply with the limits for Class A computing devices, pursuant to Part 15 of FCC rules. These limits are designed to provide reasonable protection against harmful interference when the equipment is operated in a commercial environment. This equipment generates, uses, and can radiate radio frequency energy. If this equipment is not installed and used in accordance with this instruction manual, it may cause harmful interference to radio communications. Operation of this equipment in a residential area is likely to cause harmful interference in which case the user will be required to correct the interference at their own expense. Changes or modifications not expressly approved by the party responsible for compliance could void the user's authority to operate the equipment.

Notice for Canada

Industry Canada

This digital apparatus does not exceed the Class A limits for radio noise for digital apparatus set out in the Radio Interference Regulations of the Canadian Department of Communications.

Le présent appareil numérique n'émet pas de bruits radioélectriques dépassant les limites applicables aux appareils numériques de la classe A prescrites dans le Règlement sur le brouillage radioélectrique édicté par le ministère des Communications du Canada.

RSS-Gen, Issue 3, December 2010, Section 7.1.3 User Manual Notice

This Device complies with Industry Canada License-exempt RSS standard(s). Operation is subject to the following two conditions: 1) this device may not cause interference, and 2) this device must accept any interference, including interference that may cause undesired operation of the device.

Cet appareil est conforme avec Industrie Canada RSS standard exemptes de licence(s). Son fonctionnement est soumis aux deux conditions suivantes: 1) ce dispositif ne peut causer des interférences, et 2) cet appareil doit accepter toute interférence, y compris les interférences qui peuvent causer un mauvais fonctionnement du dispositif.

Notice for Europe

The EU Declaration of Conformity can be found on **Datacard.com**

We hereby certify that this printer complies with EMC Directive 2004/108/EC, R&TTE Directive 1999/5/EC, and the EU RoHS Directive EU Directive 2011/65/EC. This printer conforms to Class A of EN 55022 and to EN 301 489-5. Operation of this equipment in a residential environment may possibly cause interference. In the event of interference, the users, at their own expense, will be required to take whatever measures are necessary to correct the problem.

Notice for Europe and Australia

This is a Class A product. In a domestic environment this product may cause radio interference, in which case the user may be required to take adequate measures.

Notice for China (Simplified Chinese)

警告

此为 A 级产品，在生活环境中，该产品可能会造成无线电干扰。在这种情况下，可能需要用户对干扰采取切实可行的措施。

Notice for Taiwan (Traditional Chinese)

警告使用者：
這是甲類的資訊產品，在居住的環境中使用時，可能會造成射頻干擾，在這種情況下，使用者會被要求採用某些適當的對策。

Notice for Japan

Japanese Voluntary Control Council for Interference (VCCI) class A statement

この装置は、クラス A 情報技術装置です。この装置を家庭環境で使用すると電波妨害を引き起こすことがあります。この場合には使用者が適切な対策を講ずるよう要求されることがあります。

VCCI-A

Korea Communications Commission (KCC) statement

이 기기는 업무용(A급)으로 전자파적합기기로서 판매자 또는 사용자는 이 점을 주의하시기 바라며, 가정외의 지역에서 사용하는 것을 목적으로 합니다.

California Proposition 65 Compliance

WARNING: This product contains chemicals, including lead, known to the State of California to cause cancer, and birth defects or other reproductive harm. ***Wash hands after handling.***

Datacard Group believes that its products are not harmful when used as designed. However, the above warning is made in compliance with the State of California Safe Drinking Water and Toxic Enforcement Act of 1986, which requires warning labels on products that may contain elements that the State of California considers harmful.

Revision Log
SD160/SD260 Card Printers User's Guide

Revision	Date	Description of Changes
A	February 2015	First release of this document.

Contents

Chapter 1: Introduction	1
About this Manual	1
Intended Audience	1
Technical Support	1
Chapter 2: About the Printer	3
About the SD160 and SD260 Card Printers	3
Printer Components	3
Printer Top and Front.....	4
Printer Left Side.....	5
Inside the Printer.....	6
Print Ribbon Cartridge.....	7
System Label.....	8
Chapter 3: Using the System	9
How the Card Travels	9
Card Printer System Overview	10
Equipment.....	10
Tasks and Users.....	10
Printer Controls	11
Power Button.....	11
Down Arrow, Up Arrow, and Enter Key.....	11
LCD Panel Menus.....	12
User Button and Light.....	14
Ribbon Light.....	15
Card Light.....	15
Retrieve the Printer's Network IP Address	16
Print a Test Card	18
Load and Replace Supplies	19
Load Cards.....	19
Load the Print Ribbon.....	20
Load the Cleaning Sleeve.....	20
Install the Ribbon Cartridge.....	21
Prepare the Printer to Print Rewritable Cards.....	22
Chapter 4: Printing Cards	23
Before Starting to Print	23
Print Cards	24
Print from ID Software.....	24
Print from Other Software.....	24

Chapter 5: System Maintenance	25
Clean the Printer	25
Clean the Printhead	26
Run a Printer Cleaning Card	28
Chapter 6: Troubleshooting	31
Locate a Problem Within the Card Production System	32
Locate a Problem with Basic Printer Functions	33
Installation Problems	34
USB Installation Troubleshooting	35
Network Installation Troubleshooting	36
Card Printer Driver Problems	36
The Card Printer Driver does not detect the network-connected printer	37
The Card Printer Driver does not detect the USB-connected printer	37
Driver status or Windows print queue does not provide expected data	38
Printer Messages do not display on the PC	39
Card Appearance	39
Something did not print	40
Printing includes unexpected data	41
The color printing has flaws	41
The printing is too light	43
The printing is too dark	43
The monochrome printing has flaws	44
Rewritable Card Problems	45
Magnetic Stripe Problems	47
Use Advanced Troubleshooting Tools	48
Card Jams	49
Messages and Conditions	50
Messages on the Printer LCD	50
Messages from the XPS Card Printer Driver on the PC	52
Messages from Printer Manager	52
Other Messages	52
Respond to Messages	53
Printer Messages	53
100: Request not supported	53
101: Job could not complete	53
102: Card not in position	53
103: Printer problem	54
104: Critical problem	54
105: Magstripe data error	54
106: Magstripe data not found	54
107: Magstripe read data error	55
108: Magstripe read no data	55
109: Print ribbon problem	55
110: Print ribbon out or missing	56

111: Card not picked	56
112: Card hopper empty	56
113: Close cover to continue.	57
114: Cover opened during job	57
116: Magstripe not available.	57
117: Reader not available	58
118: Print ribbon type problem	58
119: Print ribbon not supported.	58
120: User paused the printer	59
121: Print ribbon not identified.	59
122: Magstripe format problem.	59
123: Insert new card side 1 up.	59
124: Insert same card side 2 up.	59
149: Option not installed	60
152: Insert new card side 2 up.	60
153: Insert same card side 2 up.	60
170: Insert new card side 1 up.	60
171: Insert same card side 1 up.	60
172: Insert cleaning card	61
173: Improper Shutdown	61
224: Supply region not valid.	61
225: Rewrite config mismatch	61
Driver-Only Messages	62
500: The printer is not available	62
501: The printer connection was lost.	62
502: The card data is missing or is not usable	62
504: The card data is missing or is not usable	62
505: USB communication issue	63
506: A card is currently processing	63
508: The printer is shutting down	63
509: The printer is offline or suspended.	63
Driver SDK Messages	64
511: Cannot lock or unlock the printer. Locks are not installed.	64
512: Cannot lock or unlock the printer. The password is incorrect or invalid.	64
513: Cannot lock or unlock the printer. The printer is busy.	64
514: Cannot lock or unlock the printer. The cover is open.	64
515: Failed to lock or unlock the printer. The locks did not function.	64
516: Timeout expired before bar code could be read.	64
517: Wrong printer job ID.	64

Chapter 1: Introduction



About this Manual

This manual provides user information for the SD160 and SD260 Card Printers. The manual includes:

- An overview of printer components and options, and a description of the system label.
- How to use the printer, including how to power the printer on and off, how to use the front panel and LCD menus, card processing basics, how to print a test card, and how to load and replace supplies.
- How to perform routine maintenance and troubleshooting tasks.

An additional *Installation and Administrator's Guide* is available for use by administrators or other professionals responsible for printing cards. Refer to the *Owner's Library* CD.

Intended Audience

The manual is intended for the printer operator who prints cards, loads and replaces supplies, maintains the printer, and performs troubleshooting.

Technical Support

Contact Datacard Technical Phone Support at 1-800-328-3996.



Chapter 2: About the Printer

2

About the SD160 and SD260 Card Printers

The card printer applies images, text, and encoded data to plastic cards. It can print full-color and monochrome images, depending on the type of print ribbon installed. The SD160 printer also can print on rewritable cards.

The printer is designed for lower-volume card printing needs. It issues cards either one at a time or in batches—up to 100 cards at a time. An optional 200-card input hopper also is available.

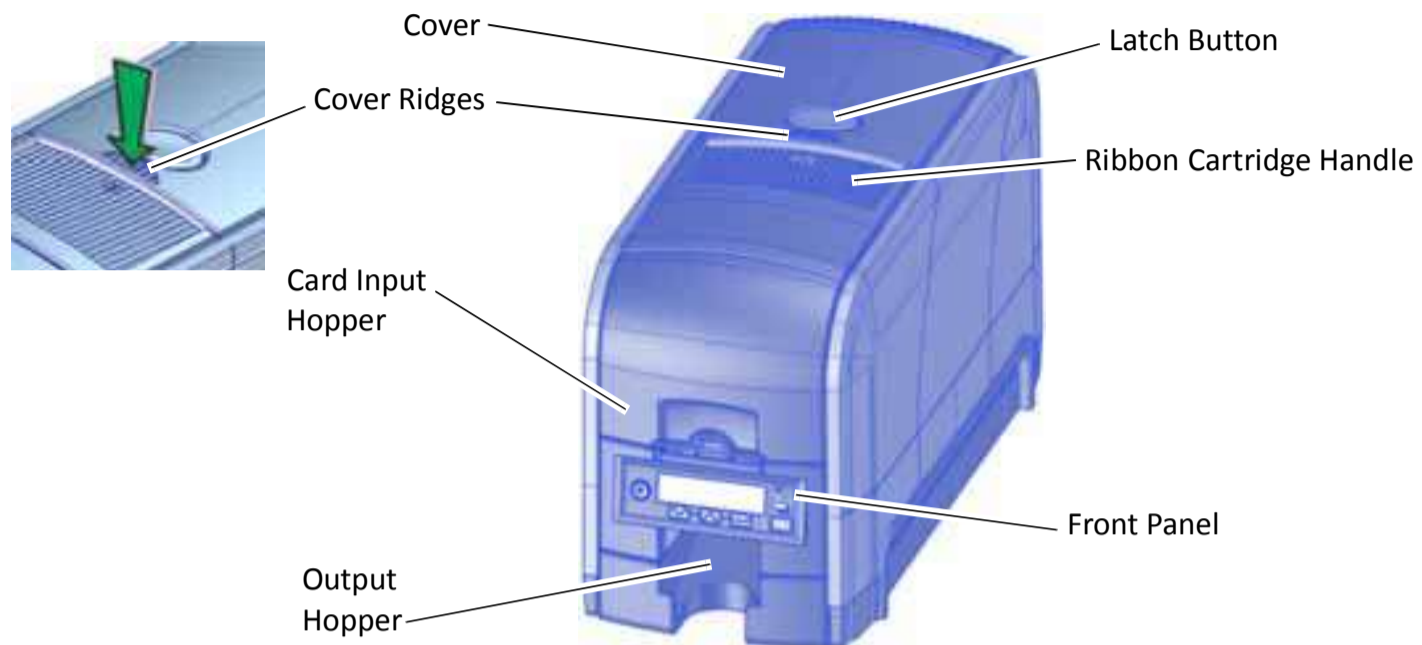
Additional options available for the card printer include magnetic stripe and smart card. The configuration label on the printer shows the options installed. Refer to [“System Label” on page 8](#) for more information about recognizing the factory-installed options on your card printer.

Printer Components

Refer to the following to view the printer components and the different options:

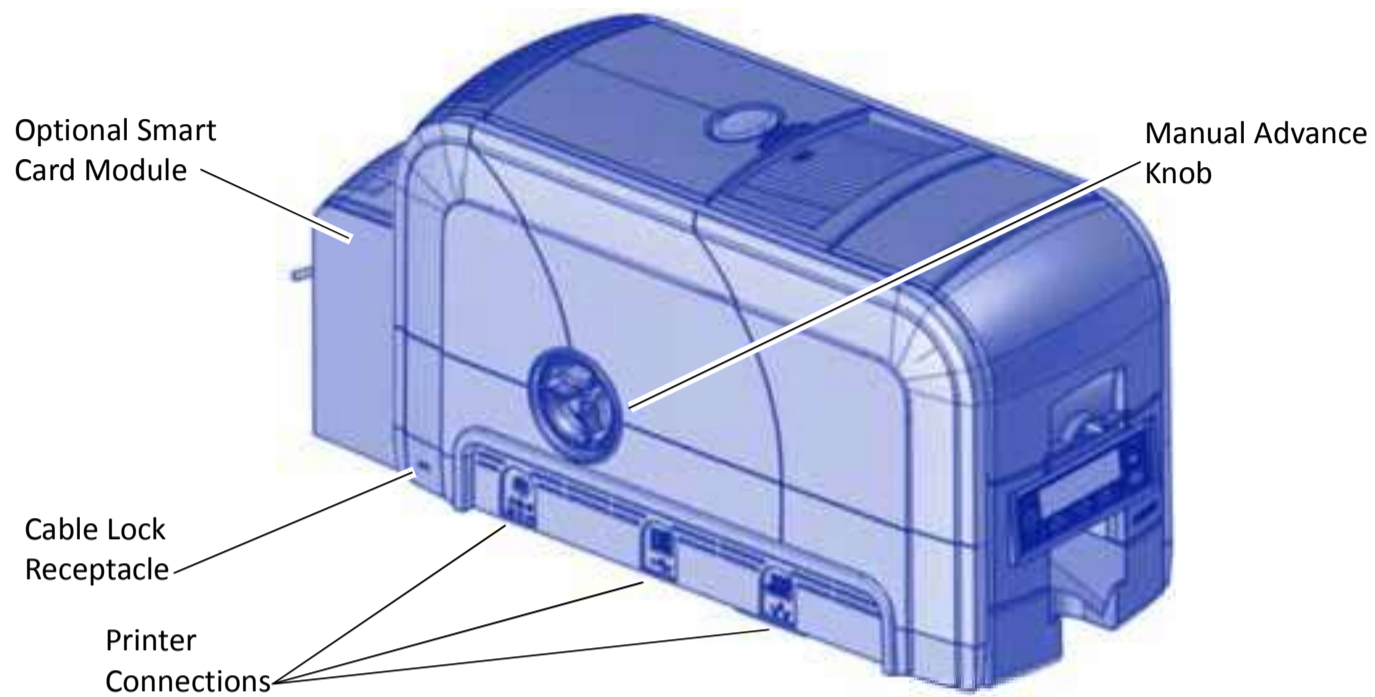
- [Printer Top and Front on page 4](#)
- [Printer Left Side on page 5](#)
- [Inside the Printer on page 6](#)
- [Print Ribbon Cartridge on page 7](#)
- [System Label on page 8](#)

Printer Top and Front



Cover	Open the cover to access the printhead and ribbon.
Latch Button	Push the latch button to release the cover and open the printer.
Cover Ridges	Press down on the ridges when closing the cover to make sure that it latches properly on both sides.
Ribbon Cartridge Handle	Use the handle to remove the print ribbon cartridge from the printer.
Card Input Hopper	The input hopper loads cards to print. The hopper holds up to 100 cards (0.030 in. or 0.762 mm thickness).
Front Panel	The front panel lets you work with the printer. It includes the USER button, the status lights, the power button, and the LCD panel with navigation keys.
Output Hopper	The output hopper holds up to 25 completed cards. (The output hopper of a model SD260 with a manual feed holds 5 cards.)

Printer Left Side



Manual Advance Knob

The knob moves a card in the track to clear a card jam.

Cable Lock Receptacle

The receptacle allows you to insert the security plate before attaching the optional Kensington® lock.

Printer Connections

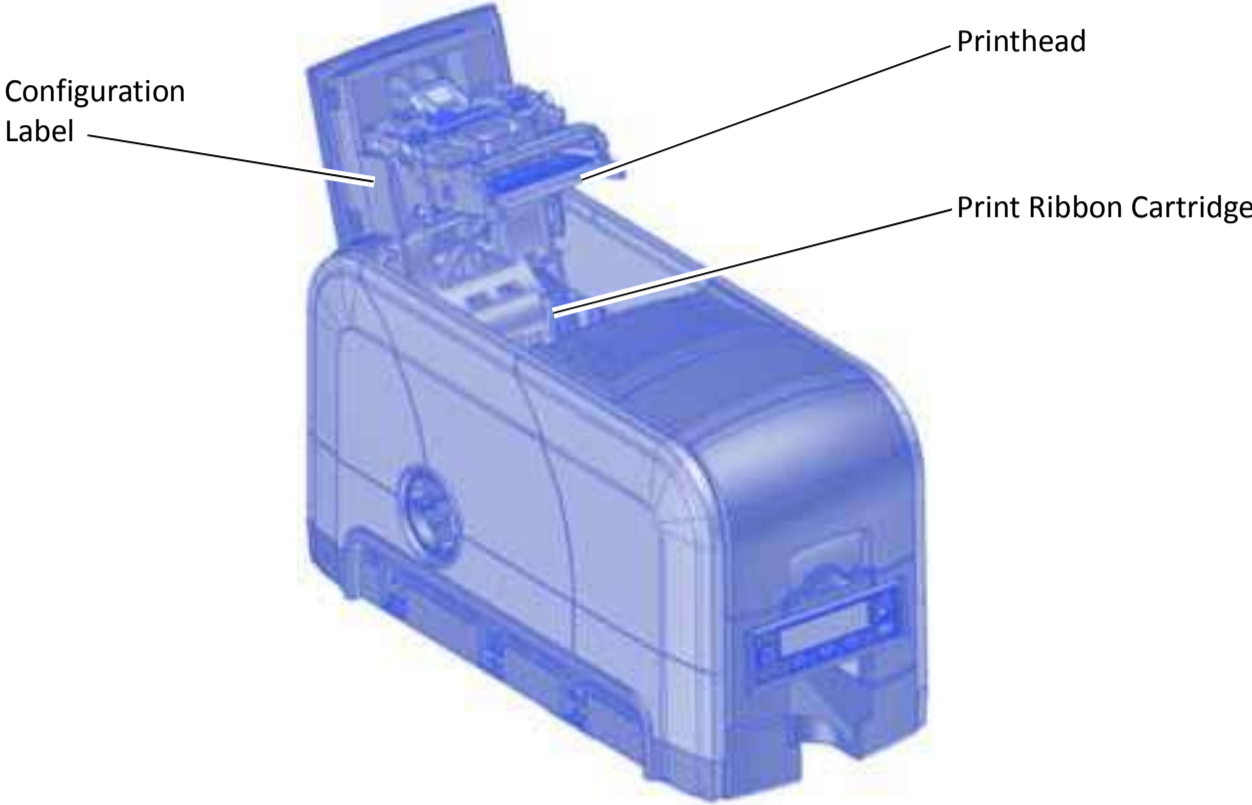
Printer connections include:

- Power receptacle
- USB connection
- Network connection (SD260 only)

Optional Smart Card Module

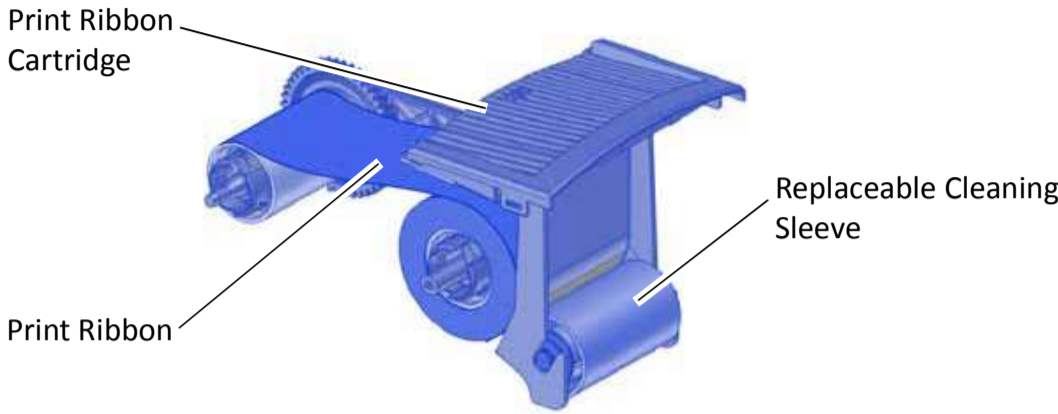
Some printer models include an optional smart card module. Refer to “[System Label](#)” on [page 8](#) for information about the options installed on your printer.

Inside the Printer



- Configuration Label** The label shows the location and date of manufacture, the printer serial number, and lists the options installed.
- Printhead** The printhead transfers images to cards using the print ribbon.
- Print Ribbon Cartridge** The cartridge holds the print ribbon and cleaning sleeve.

Print Ribbon Cartridge



Print Ribbon Cartridge

The cartridge holds the ribbon for printing.

Print Ribbon

The ribbon applies images to cards.

Replaceable Cleaning Sleeve

The cleaning sleeve removes dust and other particles from cards to maintain print quality.

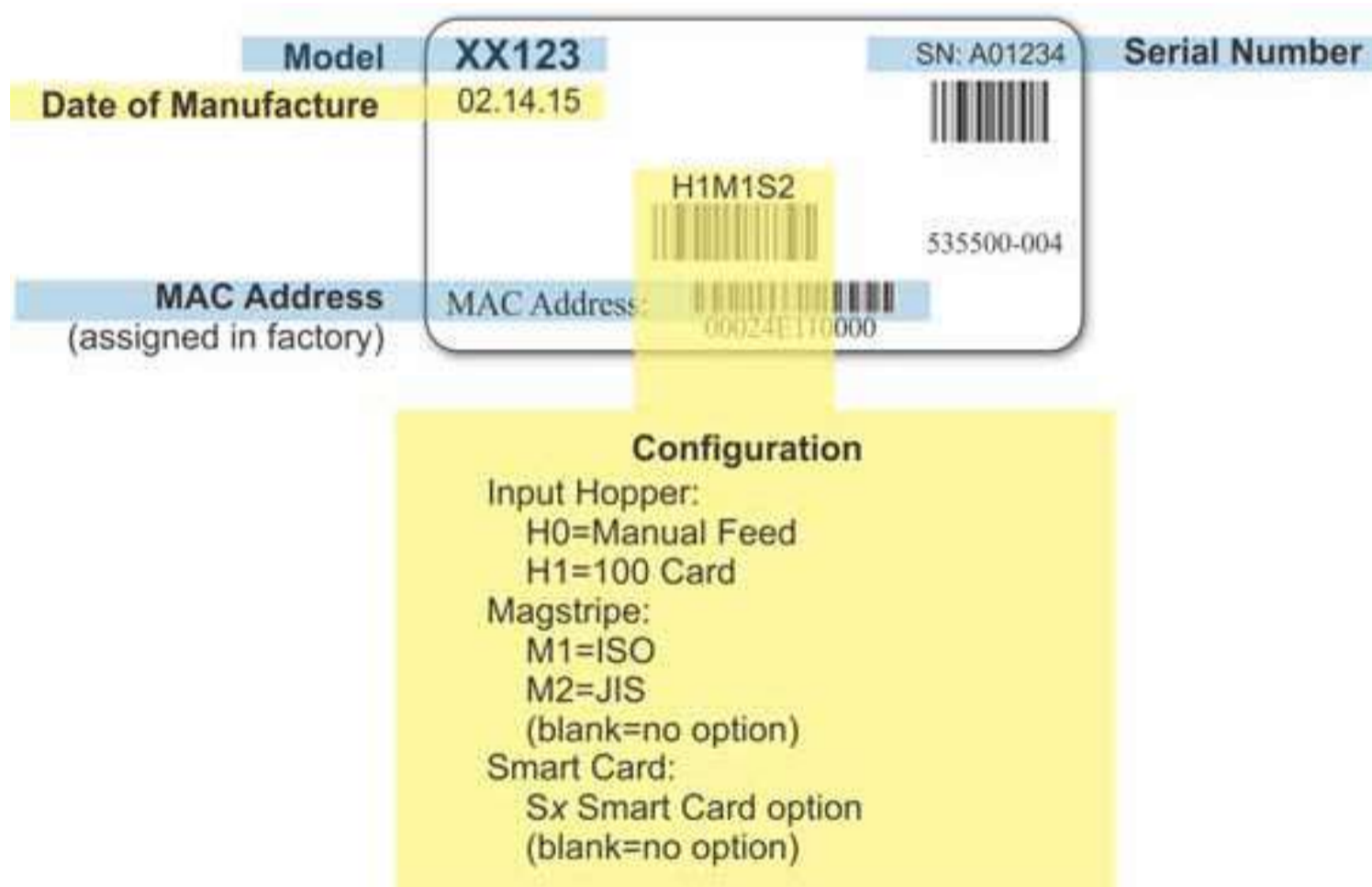
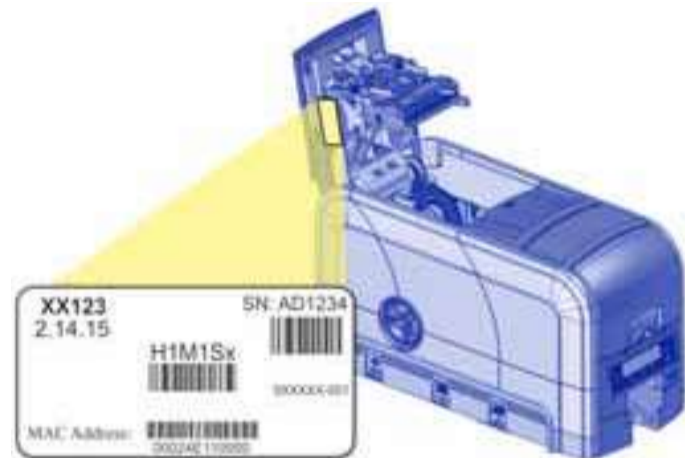
System Label

The printer configuration label on the side of the cover swingarm shows the components installed. It provides information that is useful when requesting service.

The label shows the following information:

- Printer model and serial number
- Configuration, which includes options installed in the printer
- Date and country of assembly
- MAC address to use when the printer is connected via an Ethernet network

Information for components installed by the dealer or sales group is handwritten on the label.



Chapter 3: Using the System

3

This section provides information about how a card travels through the printer, printer controls, printing a test card, loading and replacing supplies, and cleaning the printer.

How the Card Travels

The card is verified and sent to print from the PC. The hopper pick mechanism picks a card from the input hopper and moves the card into the printer for processing.

Optionally, the card moves to the magnetic stripe encoding area or to the smart card park station, depending on the type of card selected and the printer options installed. The finished card exits the printer through the card output hopper.

Card Printer System Overview

You use the card printer with other equipment and software to create a card production system. The system produces cards for a specific purpose, and the cards must meet requirements.

Equipment

The system can include:

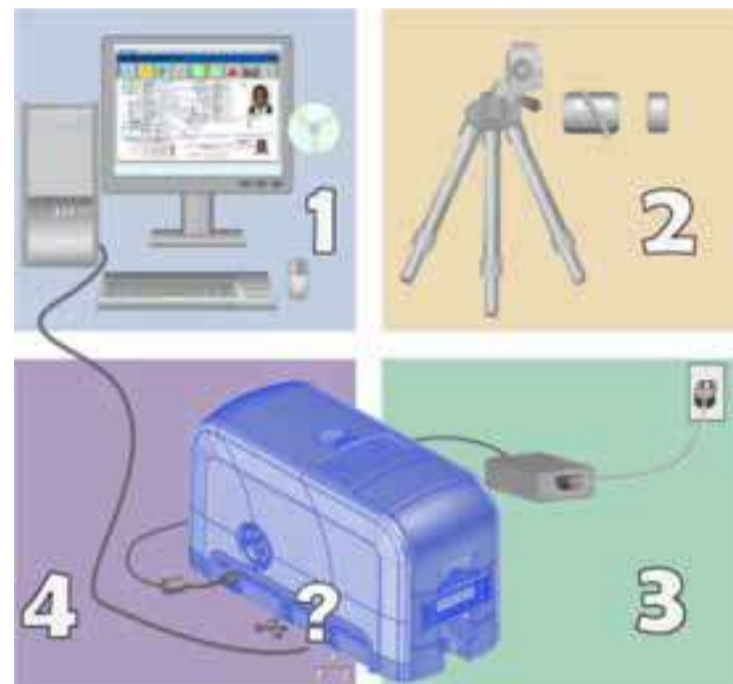
1. A PC, with software to support the printer:
 - The XPS Card Printer Driver for Windows.
 - ID software designed specifically to capture, format, and save the data for cards.
 - A retail application such as Microsoft® Word or Adobe® Photoshop®.

2. Capture devices, such as:

- A digital camera connected to the PC to take photos for ID badges and other cards.
- A signature capture pad or fingerprint reader.

3. The printer with supplies and a facility power source.

4. A data connection between the printer and PC, which can be a USB connection or a network connection. (The SD160 card printer connects via USB only.)



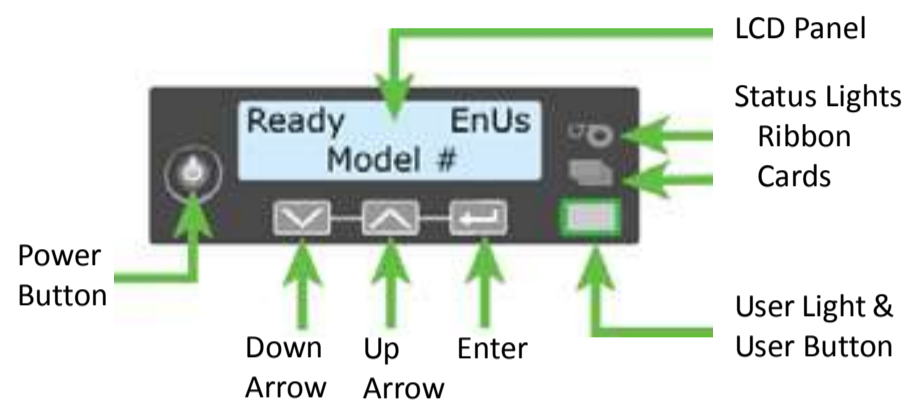
Tasks and Users

Typical roles in a card production system include:

- The **operator**, who makes cards, loads supplies, and handles minor problems such as card jams.
- The **system administrator**, who sets up the card printer and other hardware, sets up card designs, configures card production software, and identifies the best use of the card printer in the organization.

Printer Controls

The front panel of the printer provides the controls for operating the printer. The front panel controls are described in the following sections.



Power Button

Use the POWER button to power off and power on the printer. All lights show steady amber while the printer powers on.

To power off the printer, press the button for 1 to 2 seconds until the printer begins to shut down.

To power off the printer while it is processing cards, press the button for 2 seconds or more. Card jobs in the printer are not completed.

Down Arrow, Up Arrow, and Enter Key

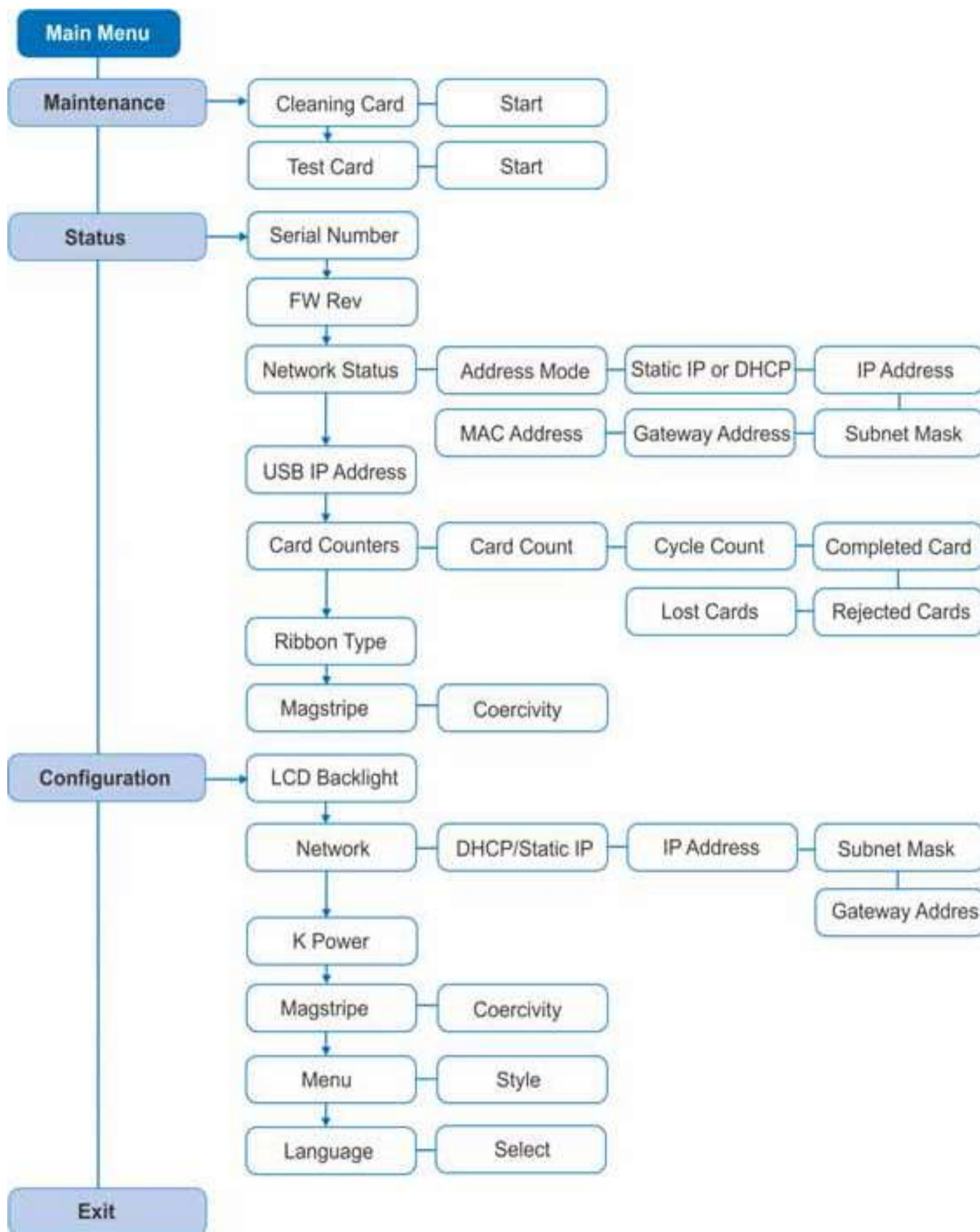
Use the arrow keys to move through the printer menu system, and the ENTER key to make a selection.

Press the up or down arrow key while the LCD panel displays **Ready** to display additional information about the printer on line 2, including the serial number, network IP address or USB IP address, firmware version, ribbon part number, and region code, if available. If you don't press a key for 30 seconds, the LCD panel returns to the default **Ready** message.

LCD Panel Menus

The LCD panel shows the printer’s menu system and displays printer messages or conditions.

For a list of messages and recovery information, refer to “Respond to Messages” on page 53.



When the printer is in the **Ready** status, the LCD displays the model number of the printer. Printers using regionalized supplies also display the region code on the **Ready** panel.



Printer without a region code



Printer with a region code

The menu system has three major branches:

- Use the **Maintenance** menu to run a cleaning card or print a test card.
- Use the **Status** menu to see settings and data about the printer.
- Use the **Configuration** menu to change settings.






HINTS & TIPS

- You can access the menu system when **Ready** displays on line 1 of the LCD panel.
- The printer returns to the **Ready** status after 2 minutes of no activity. Changes not applied are lost.
- To leave a selection without changing the value, press the up or down arrow key until **Exit** displays, and then press the ENTER key.

User Button and Light





The printer's USER button displays with a border of light that indicates the system status. Use the USER button to:

- Suspend printer activity—press the USER button when the LCD panel displays **Ready**.
- Clear a message—press the USER button once.
- Clear all messages—press the USER button for 2 seconds or more.
- Clear all cards currently printing—press and hold the USER button for 2 seconds or more. (Make sure that this action is allowed in your card system.)
- Determine whether the printer is ready, busy printing, or not available. Indicators include the following:

Off	The printer is off or suspended.	
Green	The printer is ready.	
Blinking green	The printer is busy.	
Amber	The printer is not ready. The POWER button was pressed to turn the printer off.	
Blinking amber	The printer has an error.	


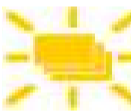
Ribbon Light

The ribbon indicates the status of the print ribbon in the printer. Indicators include the following:

Off	The print ribbon is okay. If rewrite is enabled, no ribbon is installed in the printer.	
Blinking amber	A blinking light indicates the problem applies to the print ribbon.	
Steady amber	The print ribbon is low.	
Blinking amber/ green	The print ribbon is out, or the incorrect ribbon is installed.	

Card Light

The card light indicates the status of cards in the printer. Indicators include the following:

Off	Cards are okay.	
Blinking amber	A blinking light indicates either of the following: <ul style="list-style-type: none">• No card, or an incorrect card, is detected for the print job. Insert a card to continue printing.• A scheduled printer cleaning is due. Insert a cleaning card now, or set aside time to run a cleaning card.	

Retrieve the Printer's Network IP Address

You need to know the printer IP address to perform some tasks. For example, the XPS Card Printer Driver asks you to enter the network IP address during installation. You also use the IP address when launching Printer Manager, the printer's web interface, from a browser window.

To display the IP address, you can do one of the following:

- Press the up or down arrow key while the printer displays **Ready**. Refer to “[Down Arrow, Up Arrow, and Enter Key](#)” on [page 11](#).
- Use the LCD menu system **Status** menu.

To display the IP address using the Status menu, do the following. You also can display the subnet mask, gateway address, and MAC address, if necessary.

Begin with the printer power connected, and the printer connected to the network.

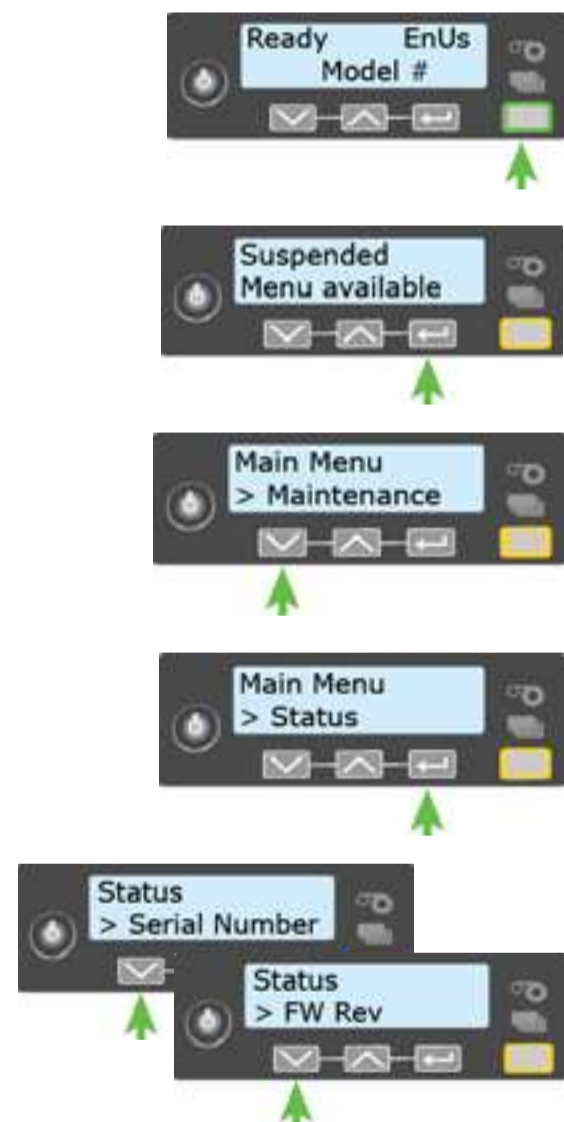
1. Press the POWER button (if needed) to power on the printer.
2. Access the Network Status menu in the LCD menu:
 - a. Press the USER button to suspend the printer.

- b. Press ENTER to enter the menu system.

- c. Press the down arrow to display **Status** on line 2.

- d. Press ENTER to enter the Status menu.

- e. Press the down arrow key until **Network Status** displays on line 2.



- f. Press ENTER to display the Network Status menu.
3. Press the down arrow key until **IP Address** displays on line 2.
4. Press ENTER to display the IP address. Record the IP address.
5. Press ENTER to return to the Network Status menu. **Subnet Mask** displays on line 2.
6. Press ENTER to display the subnet mask. Record it, if necessary.
7. Press ENTER to return to the Network Status menu. **Gateway Address** displays on line 2.
8. Press ENTER to display the gateway address. Record it, if necessary.
9. Press ENTER to return to the Network menu.
10. Press the down arrow key to scroll to **Exit** on line 2.
11. Press ENTER. Then, press the USER button to return the printer to **Ready**. The USER button glows green.



Print a Test Card

The printer includes a test card that runs without using a driver or other source of card data. Use it to verify that the printer is working.

1. Begin with the printer **Ready**. The USER button shows steady green.
2. Press the USER button to display **Suspended** on line 1 of the LCD panel.
3. Press ENTER to enter the menu system.
4. Press ENTER to enter the Maintenance menu.
5. Press the down arrow until **Test Card** displays on line 2.
6. With **Test Card** displayed on line 2, press ENTER to display **Start** on line 2.
7. Press ENTER to print the test card.

After the card prints, the printer returns to **Ready**.



Load and Replace Supplies

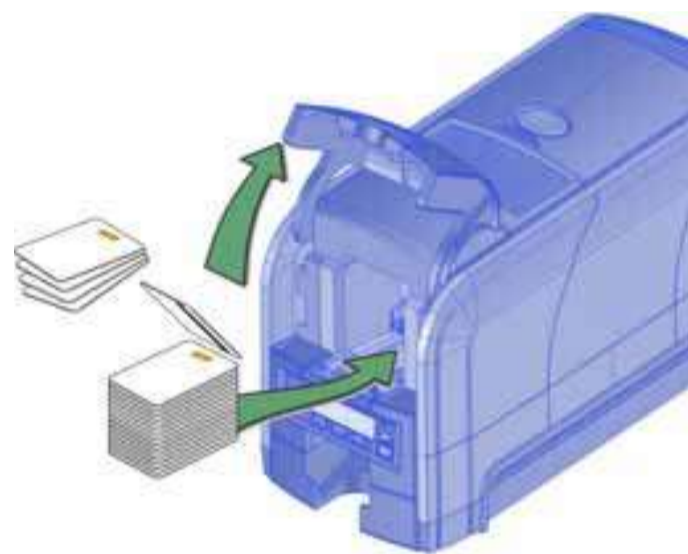
To prepare the printer to print cards, load blank card stock into the input hopper (optional), and load print ribbon and a cleaning sleeve onto the print cartridge. If you are printing rewritable cards, refer to [“Prepare the Printer to Print Rewritable Cards”](#) on [page 22](#).

Load Cards

If you are printing rewritable cards, skip this step and keep a supply of blank cards close to the printer.

Do the following to load the input hopper:

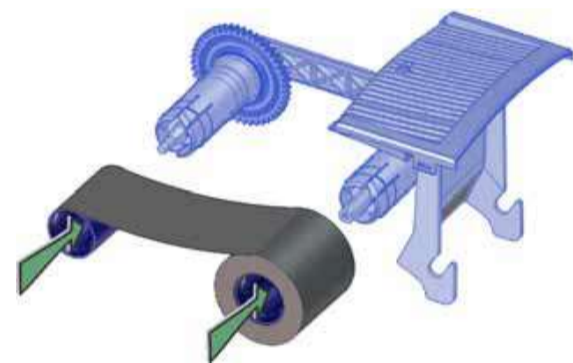
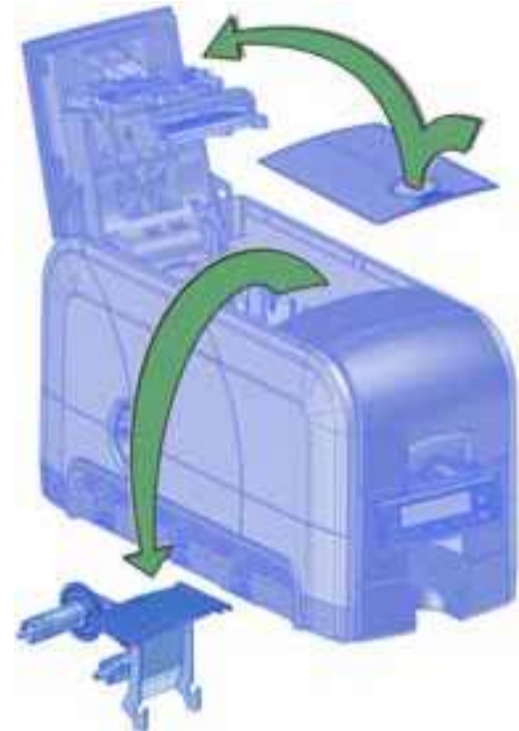
1. Open the input hopper.
2. Load the cards into the input hopper. (Cards can stick together. Slide or fan the cards to separate the edges before placing them in the input hopper.)
 - Insert ISO magnetic stripe cards with the stripe (back side) facing down and to the right.
 - Insert smart cards with the smart card chip facing up and toward the back of the hopper.
3. Close the input hopper.



Load the Print Ribbon

Load the print ribbon when you install the printer and when the ribbon runs out.

1. Open the printer cover.
2. Remove the print ribbon cartridge.
3. Load a full roll of print ribbon (the blue spool) onto the blue spindle closest to the cartridge handle.
4. Place the silver take-up spool on the silver spindle with the black gear.
5. Wind the take-up spool counterclockwise one full turn.

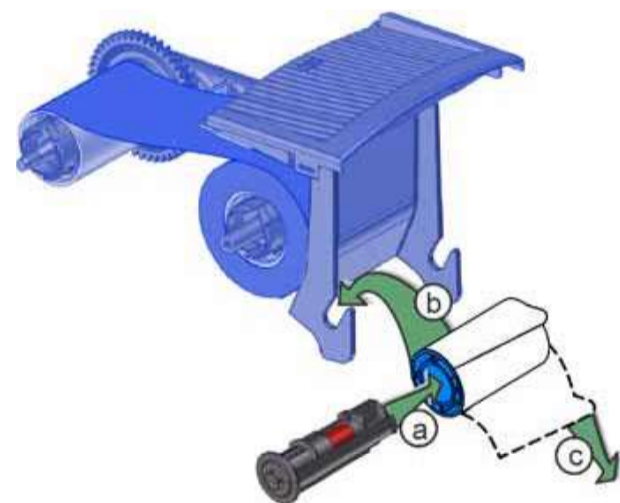


Load the Cleaning Sleeve

Load a new cleaning sleeve when you load a new roll of print ribbon, when you notice debris on the printed cards, or when the cleaning sleeve is no longer sticky.

The printer ships with the cleaning roller spindle installed on the print ribbon cartridge.

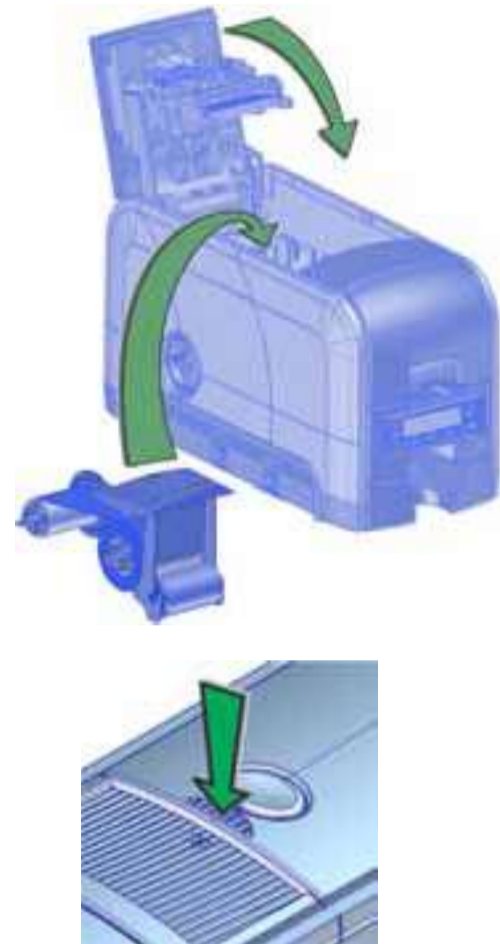
1. Remove the cleaning roller spindle from the ribbon cartridge and slide the spindle into the continuous cleaning sleeve (a).
2. Place the spindle with the cleaning sleeve onto the ribbon cartridge (b).
3. Remove the protective wrapper from the cleaning sleeve (c).



Install the Ribbon Cartridge

Install the assembled print ribbon cartridge into the printer.

1. Open the printer cover.
2. Hold the print ribbon cartridge by the handle and lower it into the printer with the handle toward the front of the printer.
3. Make sure that the ribbon cartridge is correctly positioned in the guides.
4. Close the printer cover. Press down on the ridges on the front of the cover to make sure that it latches properly on both sides.



Prepare the Printer to Print Rewritable Cards

1. Open the printer cover and remove the print ribbon cartridge.
2. Remove the print ribbon from the cartridge and set it aside.
3. Make sure that the cleaning roller with the replaceable cleaning sleeve is installed.
4. Return the print ribbon cartridge to the printer.
5. Close the printer cover. Press down on the ridges on the front of the cover to make sure that it latches properly on both sides.
6. Have rewritable cards available to insert into the printer.



When you print rewritable cards, insert the cards one at a time. Make sure that the card is engaged in the pick rollers. The erase/rewrite process can cause the cards to bend slightly, and can prevent them from being picked from the input hopper.

To print rewritable cards, you also must do the following:

- Enable rewritable printing in Printer Manager.

Refer to the Printer Setting **Print** section in the printer's *Installation and Administrator's Guide* for information about specifying Printer Manager settings for rewritable cards.

- Specify rewritable card settings in the Card Printer Driver.

For complete information about setting up the Card Printer Driver to print rewritable cards, refer to your printer's *Driver Guide*.



Chapter 4: Printing Cards

4

Before Starting to Print

This section explains how to print a card. Make sure that:

- The correct cards are loaded in the printer or available to insert.
- Ribbon is loaded in the printer. For the steps to follow, refer to [“Load the Print Ribbon”](#) on [page 20](#).



If you are printing a rewritable card, you must remove the print ribbon from the ribbon cartridge and replace the cartridge in the printer. Refer to [“Prepare the Printer to Print Rewritable Cards”](#) on [page 22](#) for more information about setting up the printer to print a rewritable card.

- The card design is set up. If you need to set up or modify the design, refer to [“Elements of Card Design”](#) in your printer’s *Installation and Administrator’s Guide*.

HINTS & TIPS

- Make sure that magnetic stripe cards are loaded correctly. The printer shows the correct position.
- Do not touch the card surface to be printed. Handle cards by their edges or wear gloves.
- When you print rewritable cards, insert the cards one at a time. The erase/rewrite process can cause the cards to bend slightly, and can prevent them from being picked.

You also can:

- Print a test card directly from the printer. Refer to [“Print a Test Card”](#) on [page 18](#).
- Print a driver sample card. Refer to [“Printing a Driver Sample Card”](#) in your card printer’s *Driver Guide*.

Print Cards

Make sure that cards are loaded in the printer or available to insert when prompted. For the steps to follow, refer to “Load Cards” on page 19.

Print from ID Software

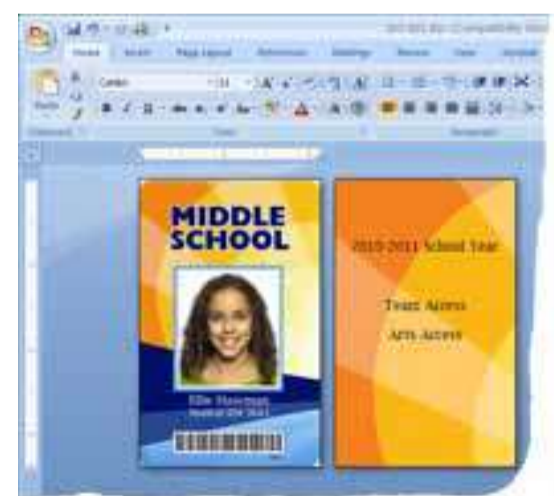
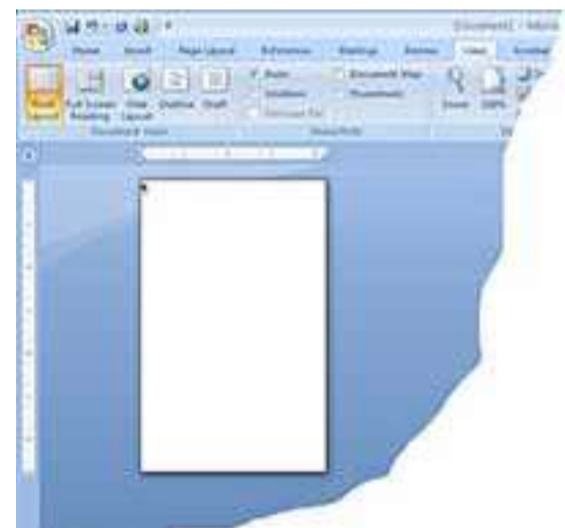
1. From the ID software, use the template or create a design for the card.
2. Select the printer if you use more than one printer.
3. Enter the data for the card. Follow the instructions for your software.
4. Capture the photo for the card, if necessary.
5. Click **Print** to send the card to the printer.
6. At the printer, insert a card into the printer, if necessary.

Print from Other Software

1. Open the software application and select the card printer as the current printer.
2. Use the application’s setup page to select the ISO ID-1 page size, or set the page size to 2.13 x 3.38 in.
3. Set the margins to 0 (zero).
4. Select an orientation—portrait or landscape.
5. Create the card design:
 - a. Add graphics, such as a company logo or background.
 - b. Add a photo.
 - c. Add text information, such as name, address, or employee number.

For information about additional card features, refer to “Elements of Card Design” in your printer’s *Installation and Administrator’s Guide*.

6. Click **Print** to send the card to the printer.
7. At the printer, insert a card into the printer, if necessary.



Chapter 5: System Maintenance

5

Clean the Printer

The printer performs best when it is cleaned on a regular basis. Follow the cleaning guidelines for your site to keep the printer in good working condition.

Clean the printer when:

- There is debris on completed cards.
- A new roll of print ribbon is installed.

You can perform the following cleaning tasks:

- [Clean the Printhead on page 26](#)
- [Run a Printer Cleaning Card on page 28](#)

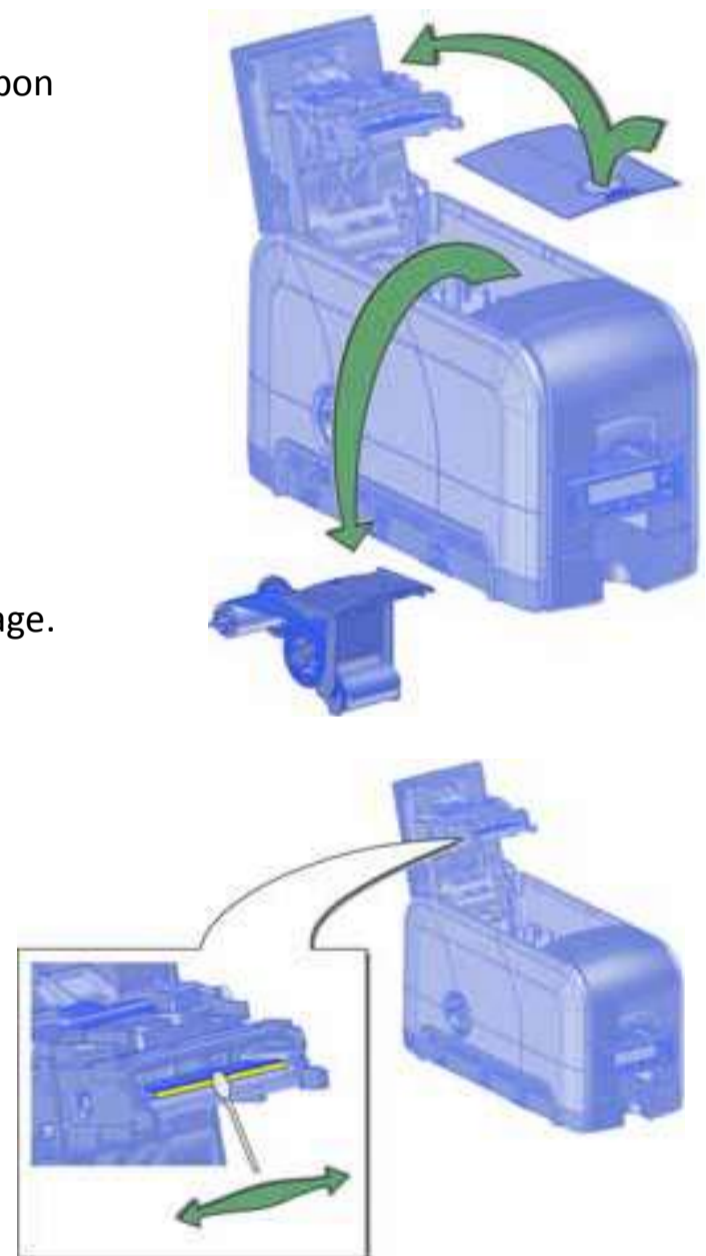
Clean the Printhead

Clean the printhead when:

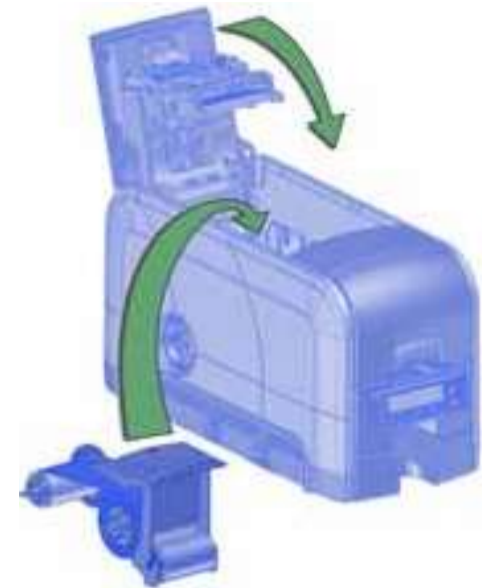
- The printhead is replaced.
- There are unprinted lines on the finished card. This usually indicates dirt or contaminants on the printhead.
- The printhead is touched accidentally. Oils from hands can affect print quality and damage the printhead.

Do the following to clean the printhead:

1. Power off the printer.
2. Open the printer cover and remove the print ribbon cartridge.
3. Open and remove a cleaning swab from its package.
4. Use gentle pressure to move the cleaning swab back and forth along the full length of the printhead edge until it is completely clean.



5. Replace the print ribbon cartridge. Avoid bumping the printhead when you install the print ribbon cartridge.
6. Close the printer cover. Press down on the ridges on the front of the cover to make sure that it latches properly on both sides.
7. Power on the printer.
8. Print a sample card to verify the quality of printing. Refer to “Print a Test Card” on [page 18](#) for more information.



HINTS & TIPS

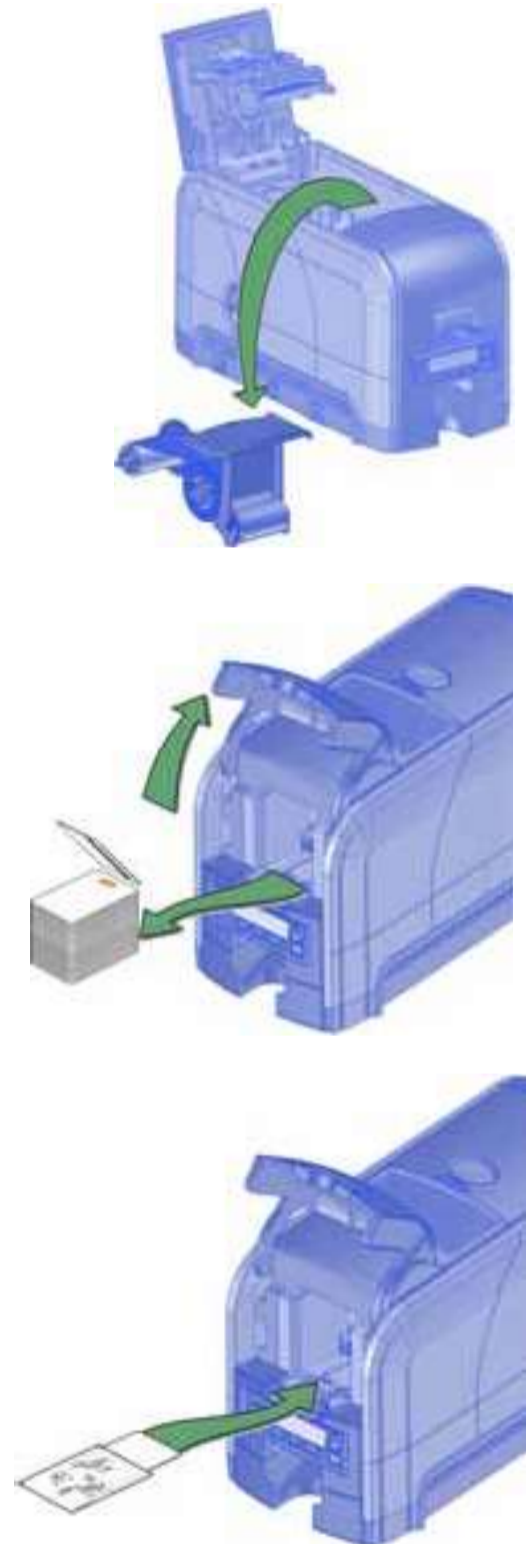
- Avoid touching the printhead edge with your fingers. Contamination due to skin oils eventually can damage the printhead.
- Avoid touching the printing edge of the printhead cartridge with any sharp objects that can permanently damage the printhead.
- Use only the cleaning swab to clean the printhead. Other materials can stick to the printhead and cause damage.
- Use a cleaning swab one time only. Discard it after you clean the printhead.

Run a Printer Cleaning Card

Run a cleaning card to clean debris from the inside of the printer and from the hopper rollers. The cleaning card can remove most contaminants from the printer. Run a cleaning card after every 250 cards processed by the printer, or every 6 months.

1. Prepare the printer for cleaning.
 - a. Power on the printer.
 - b. Open the printer cover and remove the print ribbon cartridge.
 - c. Close the cover.
 - d. Open the input hopper and remove any unprinted cards.
 - e. Open the cleaning card package and remove the cleaning card.
 - f. Load the cleaning card in the input hopper. (Plan to clean the printer immediately. The cleaning card dries out if it is out of its package for more than a few minutes.)

To insert the cleaning card manually, wait until you are prompted.



2. Use the LCD menu system to start the cleaning cycle.

- a. Begin when the printer displays **Ready** and the USER button shows steady green. Press the USER button.

Suspended displays on line 1 of the LCD panel.

- b. Press ENTER to enter the menu system.

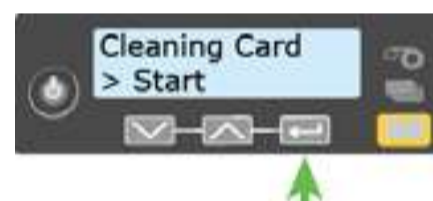
- c. **Maintenance** displays on line 2 of the LCD panel. Press ENTER to enter the **Maintenance** menu.

- d. **Cleaning Card** displays on line 2 of the LCD panel. Press ENTER to enter the **Cleaning Card** menu.

- e. **Start** displays on line 2 of the LCD panel. Press ENTER to start the cleaning process.

- f. **Insert cleaning card** displays on the LCD panel. If the cleaning card is not in the input hopper, insert it now. Press the USER button to start the cleaning cycle.

The printer moves the card through the printer several times and ejects it into the output hopper.



3. Remove the used cleaning card. Wait a few minutes for the rollers to dry.

4. Prepare the printer for use.

- a. Replace the cards in the input hopper.
- b. Install a new cleaning sleeve on the ribbon cartridge and remove the protective cover. Refer to [“Load the Cleaning Sleeve”](#) on [page 20](#) for the steps to follow.
- c. Replace the ribbon cartridge and close the printer cover. Press down on the ridges on the front of the cover to latch it properly.

Press the USER button to return the printer to **Ready**. The printer is available to print cards again.

- d. Discard the used cleaning card and cleaning sleeve.



HINTS & TIPS

- Use the cleaning card one time only.
- Change the cleaning sleeve each time you clean the printer or change the print ribbon.



If the card light blinks amber and there are cards in the input hopper, it indicates that the printer's configured cleaning count, set in Printer Manager, has been reached. Refer to the printer's *Installation and Administrator's Guide* for information about setting the Printer Manager **FrontPanel** values for cleaning.



Chapter 6: Troubleshooting



This section helps you identify and fix basic issues that can occur during printing. Also refer to your printer's *Driver Guide* for additional troubleshooting information.

The section starts with an overview of card production and printer issues you may encounter:

- [Locate a Problem Within the Card Production System on page 32](#)
- [Locate a Problem with Basic Printer Functions on page 33](#)

This section also describes troubleshooting for the following:

- [Installation Problems on page 34](#)
- [Card Printer Driver Problems on page 36](#)
- [Card Appearance on page 39](#)
- [Rewritable Card Problems on page 45](#)
- [Magnetic Stripe Problems on page 47](#)
- [Card Jams on page 49](#)
- [Messages and Conditions on page 50](#)

Locate a Problem Within the Card Production System

For typical components of the system, refer to “[Card Printer System Overview](#)” on [page 10](#). If any one of the following components does not work properly, printing cards can be affected.

- The XPS Card Printer Driver

If you need to reinstall the Card Printer Driver to fix a problem, we recommend that you download the latest version of the driver from <http://www.datacard.com>. Select **Support & Drivers > Drivers & Downloads** from the menu. Enter your printer model in the Enter Product Name or Number area, and click **Go**.

- Card production software

Card production software formats the types of data used to print cards. Make sure that the card production software features you use work with your printer.

If you do not use card production software, make sure that the software you use supports the requirements for creating cards. If you use magnetic stripe data, use an application that saves text as text and not as a graphic. (For example, Microsoft Paint only saves graphic data, while Adobe Photoshop saves both graphic and text data.) Fonts and escapes require that text is sent from the application as text.

- Printer plug-in

Card production software might require a printer plug-in, which makes the data in the card production software available in the form the Card Printer Driver can use.

- Other components of the system

An ID or badge system usually includes a camera to take photos, and may include other capture devices for biometric data. The proper use and maintenance of these components is important to the quality of cards you produce.

Locate a Problem with Basic Printer Functions

If the system is not working as expected, follow these steps in the order listed to isolate the source of the problem before you contact your service provider.

1. Make sure that the power cord is plugged in and the printer is powered on.
2. Power on the printer. Make sure that **Ready** displays on the front panel within 1 minute.
 - If the printer powers on correctly, continue to step 3.
 - If the printer powers on, but **Improper Shutdown** displays on the LCD panel, press the **USER** button for approximately 2 seconds. **Ready** should display.
 - If the printer powers on but does not display **Ready**, the printer is not working properly. Check the power cord. If **Ready** still does not display, request service for the printer.
 - If the printer does not power on, make sure that the printer power supply is working properly.
 - ◆ If the power supply is working properly, request service for the printer from your system administrator.
 - ◆ If the power supply is not functioning, replace it and begin with step 1.
3. Print a test card. Refer to [“Print a Test Card”](#) on [page 18](#) for more information.
 - If the test card prints, the printer is working correctly. Continue to step 4.
 - If the test card does not print, the printer is not working correctly. Request service for the printer.
4. Connect the printer data cable, if necessary. Make sure that you use the same type of cable (USB or network) used when the printer was installed.
5. Print a driver sample card. For the steps to follow, refer to your printer’s *Driver Guide*.
 - If the sample card prints, the printer and driver are working correctly. Continue to step 6.
 - If the sample card does not print, the printer and driver have a communication problem. Determine the cause of the problem and try the sample card again.

6. Print a card using your card production software.
 - If the card prints, your software is working successfully with the printer. Troubleshoot the card design, if necessary.
 - If the card does not print, check the following:
 - ◆ In the application, is the correct printer selected in the Print Setup or Print dialog?
 - ◆ If the printer produced a blank card, review the page size or driver settings.

If the card causes an error, the card might have a type of data the printer does not support.

Installation Problems

This section describes issues that prevent a successful installation and provides recommended solutions to those issues. Select from the following topics:

- [USB Installation Troubleshooting on page 35](#)
- [Network Installation Troubleshooting on page 36](#)

USB Installation Troubleshooting

Problem	Solution
The cable is loose.	Reconnect the USB cable to the ports on the PC and the printer. Power the printer off, and then back on. If the PC and printer still do not communicate, restart the PC.
The data cable is damaged or frayed.	Power off the printer. Replace the cable if you have a spare. Contact your service provider to order a new data cable.
The system has a temporary communication problem.	Check for the following: <ul data-bbox="825 1003 1764 1231" style="list-style-type: none">• USB extension cables can cause communication problems. The recommended USB cable is 6-ft. (2 meters) long. Make sure that the cable is rated for USB 2.0 data transmission.• If you are using a USB hub, a self-powered hub is recommended.
The PC USB port does not communicate with the printer USB port.	Power management on the PC has shut down USB communication. Check the following: <ul data-bbox="825 1380 1764 1751" style="list-style-type: none">• Open Device Manager and the list of USB devices. Disable shutdown for each hub in the list. Restart the PC to make the changes take effect, if necessary.• Hibernation on a laptop requires several moments to enable USB communication. Unplug the USB printer port and then connect it again.• Replace the PC port or the PC. Contact your PC or port vendor if you need assistance.

Network Installation Troubleshooting

Problem	Solution
The network cable is loose.	Reconnect the data cable to the network port and the printer. Restart the printer.
The Status page of Printer Properties shows the printer is not available, but the printer shows Ready on the LCD panel.	Follow your network troubleshooting procedures to isolate and test each component of the computer-to-printer communication link. Suggestions: <ul style="list-style-type: none">• Verify the computer-to-network connection by accessing a network resource, such as a network drive.• The network administrator can test communication between a server and the printer.• Make sure that the user is logged on to the network.
The printer is not configured with the correct network address	Make sure that the server name or IP address is entered in the Port Settings or Configure Port dialog box on the computer. For more information about retrieving the printer's IP address, refer to “Retrieve the Printer's Network IP Address” on page 16 . Make sure that Ready displays on the printer's LCD panel.

Card Printer Driver Problems

The Card Printer Driver and printer can have the following communication problems:

- [The Card Printer Driver does not detect the network-connected printer on page 37.](#)
- [The Card Printer Driver does not detect the USB-connected printer on page 37.](#)
- [Driver status or Windows print queue does not provide expected data on page 38.](#)
- [Printer Messages do not display on the PC on page 39](#)

The Card Printer Driver does not detect the network-connected printer

Problem	Solution
The Printer Properties > Status tab shows the printer is not available.	Make sure that you use the same type of data cable—USB or network—that was used when the printer was installed. You cannot switch the type of data cable after installation. Make sure that the current printer IP address is the same as the IP address on the Printer Properties > Ports tab. For more information about retrieving the printer’s IP address, refer to “Retrieve the Printer’s Network IP Address” on page 16.
Message 500 displays after you send a card to print.	If this happens often, consider switching from DHCP network addressing to static IP addressing. For more information about setting the Card Printer Driver network communication value, refer to the “Printer Manager” section of the printer’s <i>Installation and Administrator’s Guide</i> .
The network is not operating properly.	Test the network using another device and fix or report network problems. To test the network, print to a different (paper) printer or verify the availability of network drives.
The printer is not connected to the network, or the PC is not connected to the network.	Make sure that both ends of the data cable are connected. Replace defective cables if needed.

The Card Printer Driver does not detect the USB-connected printer

Problem	Solution
The Printer Properties > Status tab shows the printer is available, but Message 500 displays after you send a card to print.	Make sure that you use the same type of data cable—USB or network—that was used when the printer was installed. You cannot switch the type of data cable after installation. Make sure that both ends of the data cable are connected. Replace a defective USB cable if needed.

Driver status or Windows print queue does not provide expected data

Problem	Solution
<p>The Card Printer Driver sample card or magnetic stripe test cards do not print.</p>	<p>Check the following:</p> <ul style="list-style-type: none"> • Enable bidirectional support must be selected on the Printer Properties > Ports tab to allow printing from the Card Printer Driver. • If Print directly to the printer is selected in the Printer Properties > Advanced tab, clear the selection to allow printing of the Card Printer Driver sample cards.
<p>The Ribbon Low light on the printer and the Card Printer Driver status do not match.</p>	<p>The percentage of ribbon remaining that causes the printer Ribbon Low light can be set using the Printer Manager FrontPanel printer setting. The driver displays the actual percentage of ribbon remaining and cannot be changed. As a result, the indicators may not be in agreement.</p>
<p>A print job disappears from the print queue but does not print.</p>	<p>The printer USB cable was disconnected after the application sent the job. Reconnect the cable and try the job again.</p>
<p>The Card Printer Driver Printer Status page shows a USB-connected printer as Ready, but a card sent to the printer does not print.</p>	<p>The Windows print queue is offline. This can result if the printer is powered on before the computer. Do one of the following:</p> <ul style="list-style-type: none"> • Unplug the USB cable, and plug it back in. <p>or</p> <ul style="list-style-type: none"> • Place the print queue online: <ul style="list-style-type: none"> – Open the Devices and Printers control panel. – Right-click the printer icon and select See what's printing to display Windows Print Manager. – Clear the check mark from Use Printer Offline in the Printer drop-down list. <p>We recommend that you turn on the PC and wait until it has started. Then, power on the printer.</p>

Printer Messages do not display on the PC

Problem	Solution
A USB-connected printer issues a message on the LCD but the message does not display on the PC.	<p>Windows has a 15-character limit for the computer name. If the computer name is longer than 15 characters, it treats the name as not valid and does not display the message. Do the following to change the computer name:</p> <ol style="list-style-type: none">1. Press the USER button on the printer to clear the message on the LCD.2. On the PC, open Control Panel/System and Security/System.3. Locate the computer name and click Change settings.4. On the Properties window, click Change next to the rename this computer... field5. Enter the new computer name on the Computer Name/Domain Changes dialog box and click OK. <p>Note: If your computer is part of a corporate domain, you may not be allowed to change the computer name. Contact your network administrator for more information.</p>

Card Appearance

Card appearance problems can be caused by many different factors. Click the link below that best describes the card appearance issue on the printed card.

- [Something did not print on page 40](#)
- [Printing includes unexpected data on page 41](#)
- [The color printing has flaws on page 41](#)
- [The printing is too light on page 43](#)
- [The printing is too dark on page 43](#)
- [The monochrome printing has flaws on page 44](#)

Something did not print

Problem	Probable Cause	Solution
Nothing is printed on the card.	The Disable Printing option in the Card Printer Driver is set to All, Front, or Back.	Open the Preferences > Layout > Advanced tab and change Disable Printing to Off .
	The print ribbon is loaded incorrectly.	Remove the print ribbon and install it correctly.
	The page size was not set to ISO ID-1.	Use your card production application to access the printer's print setup and select ISO ID-1 for the page size. The correct page size is available after you select the printer.
Printing is not visible.	The entire card was printed using the UV (F) panel.	Print only small areas of text and images using the UV panel. Note: Use the default power level to print the topcoat panel over UV printing to prevent the topcoat from breaking.
Color printing on top of a black background does not print on the card.	The black panel of the ribbon is printing over the color panels.	The printer uses the print ribbon panels in sequence; the Y panel prints first, then M, and so on. The black panel of the print ribbon is used last and prints over the color panels. For best results, change the 100% black background to a color near black, so that it prints using the YMC (color) panels of the print ribbon. Refer to "Elements of Card Design" in the printer's <i>Installation and Administrator's Guide</i> for more information about color printing.

Printing includes unexpected data

Problem	Probable Cause	Solution
Text that was intended for the magnetic stripe printed on the card instead.	The magnetic stripe font was not applied to the text.	Refer to “Magnetic Stripe Fonts” in the printer’s <i>Driver Guide</i> .
	The escape was typed incorrectly.	Refer to “Magnetic Stripe Escapes” in the printer’s <i>Driver Guide</i> .
	The text to encode was longer than one line.	Reduce the font size to keep all text on one line.
Several blank cards are ejected before the full card prints.	The application uses the page size that is in effect when a card design document is created. Setting the page size after creating the document can cause errors.	Use the page setup feature of the application to set the page size before creating the document. Consider creating a template for cards that opens at the correct page size.

The color printing has flaws

Problem	Probable Cause	Solution
One or more lines appear on the card.	The printhead is dirty or damaged.	Clean the printhead. Refer to “ Clean the Printhead ” on page 26 .
The print quality changes from the previous card.	The ribbon type was changed while card jobs were in the printer queue.	The type of ribbon installed in the printer determines the color profile used when the card is sent to print. If the ribbon type changes while jobs are queued, the card may not print correctly. Allow all queued jobs to complete before changing the type of ribbon in the printer. Changing to a ribbon of the same type does not affect printing.
One color panel is not aligned correctly with other color panels.	The cards are slipping in the track.	Run a cleaning card. Refer to “ Run a Printer Cleaning Card ” on page 28 .
	The cards are not the correct size for the printer.	Use cards that meet the size requirement for the printer. Refer to “Cards” in your printer’s <i>Installation and Administrator’s Guide</i> for specifications. If you must use the cards you have, ask your system administrator for help.

Problem	Probable Cause	Solution
Printing is blurred.	The cards have a matte, not glossy, finish.	Use cards that meet the requirements for the printer. Refer to “Cards” in your printer’s <i>Installation and Administrator’s Guide</i> for specifications.
	The rollers are dirty.	Run a cleaning card. Refer to “Run a Printer Cleaning Card” on page 28.
	The printhead is dirty.	Clean the printhead. Refer to “Clean the Printhead” on page 26.
The printed card has small unprinted areas.	Unprinted cards have scratches.	Handle cards carefully. Refer to “Card Quality Guidelines” in your printer’s <i>Installation and Administrator’s Guide</i> .
	Cards have embedded particles, an uneven surface, or the card edge has burrs.	Use cards that meet the requirements for the printer. Refer to “Cards” in your printer’s <i>Installation and Administrator’s Guide</i> .
	The rollers are dirty or the card packaging contains debris.	Run a cleaning card. Refer to “Run a Printer Cleaning Card” on page 28.
Part of the printed image is discolored.	Cards have fingerprints or other dirt on them.	Handle cards carefully. Refer to “Card Quality Guidelines” in your printer’s <i>Installation and Administrator’s Guide</i> .
	A signature panel is located on the other side of the card.	Design the card to avoid printing photos over signature panel residue.
	The rollers are dirty or the card packaging contains debris.	Run a cleaning card. Refer to “Run a Printer Cleaning Card” on page 28. Use cards that meet the requirements for the printer. Refer to “Cards” in your printer’s <i>Installation and Administrator’s Guide</i> .

The printing is too light

Problem	Probable Cause	Solution
Photos look faded.	The image capture system needs adjustment.	Color settings might not be optimal. Adjust color settings. Refer to the documentation for the image capture system, “Color Printing” in your printer’s <i>Installation and Administrator’s Guide</i> , and “Color Adjustment Tab” in your printer’s <i>Driver Guide</i> .
The printing is very light.	The ribbon is loaded incorrectly.	Load the print ribbon correctly. Refer to “ Load the Print Ribbon ” on page 20 .
	The card was previously printed and has topcoat on it.	Print only new cards. Refer to “Cards” in your printer’s <i>Installation and Administrator’s Guide</i> .
	The printhead is not installed correctly.	Contact your service provider for instructions to install the printhead correctly.
	The printhead power is too low.	Log on to Printer Manager as WebAdmin. Open the Printer Setting > Print menu. Increase the YMCPower setting, and click Set Current to save your changes.

The printing is too dark

Problem	Probable Cause	Solution
The card shows wrinkles in darkly colored areas.	The card includes very dark areas.	Change the design to use smaller areas of dark color.
	The printhead is not aligned correctly.	Contact your service provider.
All color printing is darker than intended.	Color adjustment is too dark. A change in the card stock you use can alter the appearance of printed cards.	Change the color adjustment settings. Refer to “Color Printing” in your printer’s <i>Installation and Administrator’s Guide</i> , and “Color Adjustment Tab” in your printer’s <i>Driver Guide</i> .

The monochrome printing has flaws

Problem	Probable Cause	Solution
Text has broken (partly printed) characters.	The monochrome (K) power setting is balanced to print both fine text and bar codes.	If the card does not include a bar code, increase the monochrome intensity. If the card includes fine text and bar codes, change the text to improve printing. Refer to "Monochrome Printing" in the printer's <i>Installation and Administrator's Guide</i> .
	The text is formatted to print with color, and the card is being printed with monochrome ribbon.	Contact your service provider. Format text to print black so that the text is not dithered.
Printing is uneven or is missing in some areas.	The monochrome (K) power setting is too low. The cards require a different setting.	Increase the monochrome intensity. Find a balance between printing all card data and causing wrinkles.
A black-and-white image prints using the color panels.	The Windows Picture Print Wizard or Picture and Fax Viewer is printing the file. Many applications use the Windows tool to preview and print graphics. The tool does not render to true black and white.	Use another application, such as ID software or Microsoft Word, to create the card.

Rewritable Card Problems

Rewritable cards are erased and written to multiple times. Use the following information to troubleshoot printing appearance when using rewritable cards.

Problem	Probable Cause	Solution
A faint image is still visible after erasing a card.	The erase power setting is too low or too high.	<ol style="list-style-type: none"> 1. Log on to Printer Manager as WebAdmin. 2. Run a rewritable test card from the Printer Manager TroubleShooting > Testcard menu to see how you can fine tune the erase power settings. 3. Open the Printer Setting > Print menu. 4. Modify the RewritableErasePower setting and click Set Current to save your changes. <p>Refer to the printer's <i>Installation and Administrator's Guide</i> for complete information about Printer Manager settings for rewritable cards.</p>
	The card was not erased thoroughly.	<ol style="list-style-type: none"> 1. Log on to Printer Manager as WebAdmin. 2. Open the Printer Setting > Print menu. 3. Increase the RewritableErasePasses value before writing to the card again. <p>Refer to the printer's <i>Installation and Administrator's Guide</i> for complete information about Printer Manager settings for rewritable cards.</p>
	The write power setting is too high.	<ol style="list-style-type: none"> 1. Log on to Printer Manager as WebAdmin. 2. Open the Printer Setting > Print menu. 3. Decrease the RewritableWritePower setting in Printer Manager. <p>Refer to the printer's <i>Installation and Administrator's Guide</i> for complete information about Printer Manager settings for rewritable cards.</p>
	The card design includes large printed areas.	Modify the card design to minimize large areas.
	The card has had the same information or graphics for an extended period of time.	Use a new card.

Problem	Probable Cause	Solution
The print quality on the card is poor.	The card has been erased and written too many times	Use a new card.
	The surface of the card is dirty.	Clean the card with a lint-free cloth before rewriting to remove surface contaminants that can damage the printhead or reduce erase and rewrite quality.
	The surface of the card is damaged.	Use a new card.
Printed cards are too light.	The write power setting is too low.	Increase the RewritableWritePower setting in Printer Manager. Refer to the printer's <i>Installation and Administrator's Guide</i> for complete information about Printer Manager settings.
A line appears on the card after erasing.	The card is slipping in the card track causing the card to stop briefly during the erase process.	Clean the printer. Refer to "Run a Printer Cleaning Card" on page 28.
Some areas of the printing look distorted.	The card is slipping in the card track causing the card to stop briefly during the write process.	Clean the printer. Refer to "Run a Printer Cleaning Card" on page 28.

Magnetic Stripe Problems

To begin troubleshooting a magnetic stripe problem, first print a magnetic stripe test card from Printer Manager or the Card Printer Driver. For the steps to follow, refer to the “Printer Manager” section of the printer’s *Installation and Administrator’s Guide* or “Print a Driver Sample Card” in the card printer’s *Driver Guide*.

The printer uses the coercivity set using the LCD panel or in Printer Manager, and the data format set using Printer Manager.

Problem	Solution
Cards are not loaded correctly.	Load ISO cards with the magnetic stripe (back side) facing down and toward the right. Refer to “Load Cards” on page 19.
Cards do not have a magnetic stripe.	Load magnetic stripe cards in the input hopper. If the cards have a magnetic stripe, check the quality of the cards. Change card stock, if needed.
The card has dirt or damage on the magnetic stripe.	Encode and send a new card to print. If an error message displays indicating a magnetic stripe problem, run a cleaning card to clean the magnetic stripe head. Refer to “Run a Printer Cleaning Card” on page 28.
The magnetic stripe on the card is low-coercivity material and the High Coercivity setting is selected.	To use the cards you have, select low-coercivity encoding. Refer to the Printer Manager “Printer Setting Menu” in the <i>Installation and Administrator’s Guide</i> for more information. To encode with high coercivity, obtain cards manufactured for high-coercivity encoding. Refer to “Print a Test Card” on page 18.
Message 105 displays. The magnetic stripe on the card is high-coercivity material and the Low Coercivity setting is selected.	To use the cards you have, select high-coercivity encoding. Refer to the Printer Manager “Printer Setting Menu” in the <i>Installation and Administrator’s Guide</i> for more information. To encode with low coercivity, obtain cards manufactured for low-coercivity encoding.
The data for this job includes characters not allowed by the magnetic stripe format selected for the track.	Cancel the current print job. Make sure that you know which characters are allowed on the track. Change the data to be encoded, and resend the print job. Refer to “Magnetic Stripe Design” in the printer’s <i>Installation and Administrator’s Guide</i> for more information.

Problem	Solution
<p>The magnetic stripe data was sent in an encoding format not supported by the track.</p>	<p>Review the encoding format setting for the tracks in Printer Manager. Refer to the Printer Manager “Printer Setting Menu” in the <i>Installation and Administrator’s Guide</i>. Make sure that the application is using the selected encoding format for the track.</p> <p>If the application and track are set to the same format, and the error message displays repeatedly, contact the application provider for assistance.</p>
<p>The application sent track data for a track not supported by the magnetic stripe module.</p>	<p>Verify the type of magnetic stripe option in the printer.</p> <p>If the printer label indicates a 3-track ISO module, you can send data for tracks 1, 2, and 3.</p> <p>If the printer label indicates a single-track JIS module, you can send data for track 1.</p> <p>The magnetic stripe option and cards must be capable of accepting and encoding each track of data sent by the card production software.</p>

Use Advanced Troubleshooting Tools

Printer Manager provides access to card design settings and additional troubleshooting tools. Printer Manager also allows you to perform advanced troubleshooting with the guidance of your service provider. Refer to “Printer Manager” in the printer’s *Installation and Administrator’s Guide* for more information.

Card Jams

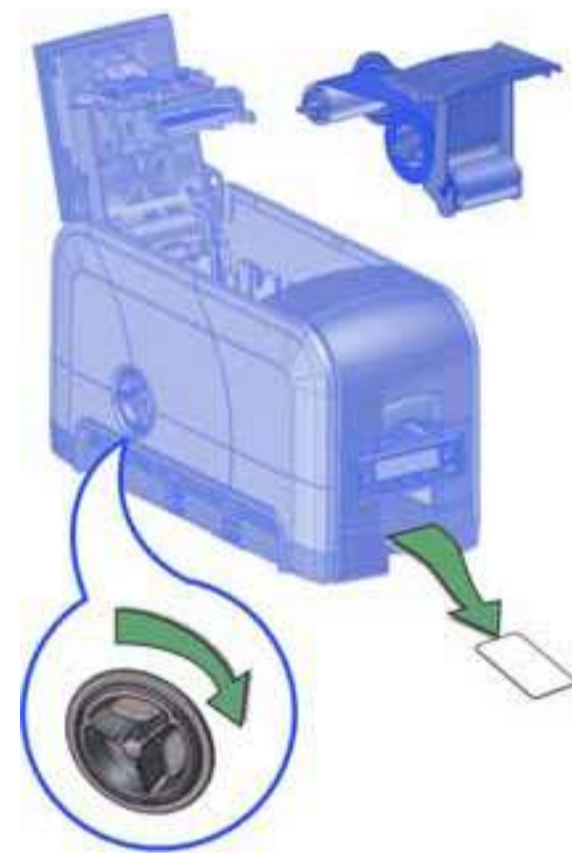
A card jam occurs when the card does not reach the proper position for the next action, such as printing or ejecting the card.

You usually can resolve the error by pressing the USER button so that the printer displays **Ready**. If the error persists, do the following to remove the card from the printer.

1. Open the printer.
2. Remove the print ribbon cartridge.
3. Turn the manual advance knob to move the jammed card until it is accessible from the rollers or exits into the output hopper.
4. Remove the card.
5. Replace the ribbon cartridge and close the printer.
6. Press the USER button on the printer or click **Retry** in the PC message.

HINTS & TIPS

Check the ribbon to make sure that it is not torn. Refer to “109: Print ribbon problem” on [page 55](#) to repair or replace the ribbon, if needed.



Messages and Conditions

When the printer cannot process the card sent, it issues a condition. The LCD panel on the front panel shows these conditions. The XPS Card Printer Driver also displays the condition as a message on the PC.

In a shared printer environment, messages can differ slightly from the messages and conditions described in this section.

- [Messages on the Printer LCD](#)
- [Messages from the XPS Card Printer Driver on the PC on page 52](#)
- [Messages from Printer Manager on page 52](#)
- [Other Messages on page 52](#)

Messages on the Printer LCD

All messages are associated with a print job. The printer issues messages that focus on recovering from problems.

- The printer displays a message number and a short description for each message.
- If more than one message was issued, the next message displays after you correct the problem and press the USER button.
- The lights on the front panel flash while messages display on the LCD panel.

No.	LCD Message	User Light	Supply Light	Card Light	Sound
100	Request not supported	Amber Flash	Off	Off	Error
101	Job could not complete	Amber Flash	Off	Off	Error
102	Card not in position	Amber Flash	Off	Amber Flash	Error
103	Printer problem	Amber Flash	Off	Off	Error
104	Critical problem	Amber Flash	Amber Flash	Amber Flash	Error
105	Magstripe data error	Amber Flash	Off	Off	Error
106	Magstripe data not found	Amber Flash	Off	Amber Flash	Error
107	Magstripe read data error	Amber Flash	Off	Off	Error
108	Magstripe read no data	Amber Flash	Off	Amber Flash	Error

No.	LCD Message	User Light	Supply Light	Card Light	Sound
109	Print ribbon problem	Amber Flash	Off	Off	None
110	Print ribbon out or missing	Amber Flash	Off	Off	Warning
111	Card not picked	Amber Flash	Off	Amber Flash	Warning
112	Card hopper empty	Amber Flash	Off	Amber Flash	Warning
113	Close cover to continue	Amber Flash	Off	Amber Flash	Warning
114	Cover opened during job	Amber Flash	Off	Off	Error
116	Magstripe not available	Amber Flash	Off	Off	Error
117	Reader not available	Amber Flash	Off	Off	Error
118	Print ribbon type problem	Amber Flash	Off	Off	None
119	Print ribbon not supported	Amber Flash	Off	Off	None
120	User paused the printer	Amber Flash	Off	Off	Warning
121	Print ribbon not identified	Amber Flash	Off	Off	None
122	Magstripe format problem	Amber Flash	Off	Off	Error
123	Insert new card side 1 up	Amber Flash	Off	Amber Flash	None
124	Insert same card side 2 up	Amber Flash	Off	Amber Flash	None
149	Option not installed	Amber Flash	Off	Off	Error
152	Insert new card side 2 up	Amber Flash	Off	Off	Warning
153	Insert same card side 2 up	Amber Flash	Off	Off	Warning
170	Insert new card side 1 up	Amber Flash	Off	Off	Warning
171	Insert same card side 1 up	Amber Flash	Off	Off	Warning
172	Insert cleaning card	Amber Flash	Off	Off	Warning
173	Improper Shutdown	Amber Flash	Off	Off	Warning
224	Supply region not valid	Amber Flash	Amber Flash	Off	Error
225	Rewrite config mismatch	Amber Flash	Amber Flash	Off	Error

Messages from the XPS Card Printer Driver on the PC

- The Card Printer Driver displays the same messages as those on the printer LCD panel. The messages that display on the PC provide additional information about the condition that caused the message and contain recovery instructions. Click the appropriate button to clear the message.
- Messages display on the PC that sent the card print job.
- If you cancel a job at the printer, the message is removed from the PC. Any additional messages for the canceled job (for example, for a broken ribbon) do not display on the PC.
- Messages can display in the background, behind the application sending the card. On some operating systems, the message displays in the status bar. Click the blinking Explorer (folder) icon in the status bar to open the message.
- If more than one message was issued, the next message displays after you close the current message.
- If more than one card printer is installed on the PC, messages display one at a time. The title bar of each message shows the printer name.
- If more than one card printer is installed on the PC and each has issued errors, the printer driver displays the messages received, even if you cleared the error at the printer.
- The Card Printer Driver can issue messages that do not display on the printer LCD panel. Refer to [“Driver-Only Messages”](#) on page 62 and [“Driver SDK Messages”](#) on page 64 for a list of these messages.

Messages from Printer Manager

Printer Manager issues messages that display in a web browser window. Click **Continue** in Printer Manager to continue working with the printer. Refer to “Printer Manager” in your printer’s *Installation and Administrator’s Guide*.

Other Messages

- The card production application you use also may display messages.
- Other printers can cause messages if more than one model of card printer is installed.

Respond to Messages

You can respond to printer messages using the printer front panel buttons or by clicking the appropriate response in the message displayed by the Card Printer Driver on the PC.

Printer Messages

The following messages display on the printer LCD panel and in a message on the PC that issued the card print job when you use the Card Printer Driver.



The messages that display are determined by the printer model and the options installed on the printer. The messages described in the following sections may not display on all printers.

100: Request not supported

The printer does not support the personalization being requested for the card. The card will be canceled.

Change the card data to match the printer's options and settings, or print to a printer that is configured to support the personalization being requested.

Press the **USER** button on the printer, or click **OK** on the PC to clear the message.

101: Job could not complete

The card took too much time to complete.

The card will be canceled.

Press the **USER** button on the printer, or click **OK** on the PC to clear the message.

102: Card not in position

The card is not positioned in the printer correctly.

1. Open the printer and remove the ribbon cartridge.
2. Turn the knob to remove the card.
3. Replace the ribbon cartridge and close the printer.

Press the **USER** button on the printer. On the PC, click **Retry**, or click **Cancel** to cancel the card.

103: Printer problem

The printer had an error. The card will be canceled.

1. Press the printer POWER button to power off the printer.
2. Press the POWER button again to power on the printer.

Click **OK** on the PC to clear the message.

104: Critical problem

The printer had a serious error. The card will be canceled.

1. Press the printer POWER button to power off the printer.
2. Request service.

The system must remain powered off.

Click **OK** on the PC to clear the message.

105: Magstripe data error

The printer failed to verify that the correct magnetic stripe data was written on the card.

1. Make sure that you are using magnetic stripe cards that match the printer settings.
2. Make sure that the cards are placed in the printer correctly.

Press the USER button on the printer. On the PC, click **Retry**, or click **Cancel** to cancel the card.

HINTS & TIPS

- The card might have been turned the wrong way.
- The card might not have a magnetic stripe.

106: Magstripe data not found

The printer did not find magnetic stripe data on card.

1. Make sure that you are using magnetic stripe cards that match the printer settings.
2. Make sure that the cards are placed in the printer correctly.

Press the USER button on the printer. On the PC, click **Retry**, or click **Cancel** to cancel the card.

HINTS & TIPS

- The card might not match printer settings or the data sent.
- Ask the system administrator to verify that the card, the data, and the printer settings match.

107: Magstripe read data error

The printer failed to read the magnetic stripe data from the card. The card will be canceled.

1. Make sure that you are using magnetic stripe cards that match the printer settings.
2. Make sure that the cards are placed in the printer correctly.

Press the **USER** button on the printer, or click **OK** on the PC to clear the message.

HINTS & TIPS

- The data might use a different format than the current printer setting.
- Ask the system administrator to verify that the card, data, and printer settings match.

108: Magstripe read no data

The printer did not find any magnetic stripe data on card. The card will be canceled.

1. Make sure that you are using magnetic stripe cards that match the printer settings.
2. Make sure that the cards are placed in the printer correctly.

Press the **USER** button on the printer, or click **OK** on the PC to clear the message.

HINTS & TIPS

- The card might have been turned the wrong way.
- The card might not have a magnetic stripe.

109: Print ribbon problem

The print ribbon is not moving properly.

1. Open the printer and remove the ribbon cartridge.
2. Reposition, repair, or replace the ribbon and advance the repaired area one full turn.
3. Replace the ribbon cartridge and close the printer.

Press the **USER** button on the printer to clear the message. On the PC, click **Retry**, or click **Cancel** to cancel the card.

110: Print ribbon out or missing

The printer does not have usable ribbon. To complete the current card:

1. Open the printer and remove the ribbon cartridge.
2. Install a new ribbon and cleaning roller.
3. Replace the cartridge and close the printer.

Press the **USER** button on the printer to clear the message. On the PC, click **OK**, or click **Cancel** to cancel the card.

HINTS & TIPS

Used ribbon has negative images of printed data. To keep the data confidential, follow your company policy to discard used ribbon.

111: Card not picked

The printer did not pick a card. To complete the current card:

For printers with an input hopper, open the input hopper, add or reposition cards, and close the hopper.

For printers with single card feed, push the card in until the printer picks it.

Press the **USER** button on the printer to clear the message. On the PC, click **OK**, or click **Cancel** to cancel the card.

112: Card hopper empty

The printer did not detect cards in the input hopper.

Add cards to the input hopper.

Press the **USER** button on the printer to clear the message. On the PC, click **OK**, or click **Cancel** to cancel the card.

113: Close cover to continue

The cover is open or the print ribbon cartridge is missing.

Confirm that the print ribbon cartridge is installed and then close the cover.

Press the **USER** button on the printer to clear the message. On the PC, click **OK**, or click **Cancel** to cancel the card.

HINTS & TIPS

- Make sure that the ribbon cartridge is installed properly with the cartridge handle even with the edges of the printer.
- Press down on the cover ridges to make sure that the cover latches properly on both sides.

114: Cover opened during job

The printer cover was opened while printing.

Push down on the cover to latch it.

Press the **USER** button on the printer to clear the message. On the PC, click **Retry**, or click **Cancel** to cancel the card.

HINTS & TIPS

- Make sure that the ribbon cartridge is installed properly with the handle even with the edges of the printer.
- Press down on the cover ridges to make sure that the cover latches properly on both sides.

116: Magstripe not available

The printer does not have a magnetic stripe option. The card will be canceled.

Remove magnetic stripe data from the card or use a printer that has a magnetic stripe option installed.

Press the **USER** button on the printer, or click **OK** on the PC to clear the message.

HINTS & TIPS

To remove magnetic stripe data, you or your system administrator may need to:

- Clear a check box in the card production application.
- Change the font from Mag Trackx XPS Card Printer to a printable font such as Arial, Verdana, or Calibri. Refer to “Magnetic Stripe Fonts” in your printer’s *Driver Guide*.

117: Reader not available

The printer does not support the personalization being requested for the card. The card will be canceled.

Change the card data to match the printer's options and settings or print to a printer that is configured to support the personalization being requested.

Press the USER button on the printer, or click **OK** on the PC to clear the message.

HINTS & TIPS

To remove the reader request, you or your system administrator may need to clear a check box in the card production application.

118: Print ribbon type problem

The printer cannot use the ribbon installed. The card will be canceled.

Use ribbon designed for this printer.

Press the USER button on the printer, or click **OK** on the PC to clear the message.

HINTS & TIPS

- Purchase ribbon from your dealer or authorized reseller.
- Check the Datacard website for newer firmware that supports new ribbon types.

119: Print ribbon not supported

The printer cannot use the ribbon installed. The card will be canceled.

Press the USER button on the printer, or click **OK** on the PC to clear the message.

HINTS & TIPS

- Purchase ribbon from your dealer or authorized reseller.
- Check the Datacard website for newer firmware that supports new ribbon types.
- If rewritable card printing is enabled on an SD160 printer, remove the print ribbon from the cartridge and reinstall the cartridge.

120: User paused the printer

The printer was paused while printing.

To complete the current card press the printer's USER button.

On the PC, click **OK** to clear the message and complete the current card, or click **Cancel** to cancel the card.

HINTS & TIPS

- If the user pressed the USER button for several seconds, the card has been canceled.
- If this message occurs often, ask your system administrator to set the button sensitivity to a lower value.

121: Print ribbon not identified

The printer cannot use the ribbon installed. The card will be canceled.

Use ribbon designed for this printer.

Press the USER button on the printer, or click **OK** on the PC to clear the message.

HINTS & TIPS

Ask your dealer or authorized reseller for a replacement ribbon.

122: Magstripe format problem

The magnetic stripe data sent does not match the format set in the printer. The card will be canceled.

Press the User button on the printer, or click **OK** on the PC to clear the message.

123: Insert new card side 1 up

1. Insert a new card in the printer with side 1 facing up.
2. If the card is not immediately picked, press the printer's USER button or click **OK**.

Click **Cancel** on the PC if you want to cancel the card.

124: Insert same card side 2 up

1. Take the card from the printer.
2. Turn the card over end to end so side 2 is facing up.
3. Insert the card in the printer.
4. If the card is not immediately picked, press the printer's USER button or click **OK**.

Click **Cancel** on the PC if you want to cancel the card.

149: Option not installed

The printer does not support the personalization being requested for the card. The card will be canceled.

Change the card data to match the printer's options and settings, or print to a printer that is configured to support the personalization being requested.

Press the User button on the printer, or click **OK** on the PC to clear the message.

HINTS & TIPS

In the card format, don't include references to hardware that cannot be accessed by the system. For more information, refer to your ID software documentation or ask your system administrator.

152: Insert new card side 2 up

1. Turn a new card over end to end so side 2 is facing up.
2. Insert the card in the printer.
3. If the card is not immediately picked, press the printer's USER button or click **OK**.

Click **Cancel** on the PC if you want to cancel the card.

153: Insert same card side 2 up

1. Take the card from the printer and turn it over end to end so side 2 is facing up.
2. Insert the card in the printer.
3. If the card is not immediately picked, press the printer's USER button or click **OK**.

Click **Cancel** on the PC if you want to cancel the card.

170: Insert new card side 1 up

1. Insert a new card in the printer with side 1 facing up.
2. If the card is not immediately picked, press the printer's USER button or click **OK**.

Click **Cancel** on the PC if you want to cancel the card.

171: Insert same card side 1 up

1. Take the card from the printer and turn it over end to end so side 1 is facing up.
2. Insert the card in the printer.
3. If the card is not immediately picked, press the printer's USER button or click **OK**.

Click **Cancel** on the PC if you want to cancel the card.

172: Insert cleaning card

1. Insert cleaning card.
2. If the card is not immediately picked, press the printer's USER button or click **OK**.

Click **Cancel** on the PC if you want to cancel the cleaning card.

173: Improper Shutdown

Always use the POWER button to power off the printer.

Click **OK** on the PC to clear the message.

224: Supply region not valid

The printer cannot use the supply installed. The card will be canceled.

Use a supply with the correct code for your region.

225: Rewrite config mismatch

The rewritable card settings in the driver and Printer Manager do not match. The card will be canceled.

Make sure that the following settings do not conflict:

- Printing Preferences > Print Mode tab: Print using rewritable cards
- Printer Manager > Print menu: RewritableCardEnable

Driver-Only Messages

The following messages are issued by the Card Printer Driver and display on the PC that sent the card print job. These messages do not display on the printer LCD panel.

500: The printer is not available

The computer cannot communicate with the printer. To complete the current card:

1. Make sure that the printer is powered on and in the **Ready** state.
2. Make sure the printer is connected to the computer using a USB or network cable, but not both.

When the printer is ready, click **OK**.

Click **Cancel** if you want to cancel the card

501: The printer connection was lost

The computer lost communications with the printer during printing. The card will be canceled.

1. Make sure the printer is powered on.
2. Make sure the printer connection to the computer is secure.

Click **OK** to clear the message.

502: The card data is missing or is not usable

The printer driver has detected invalid or missing data. The card will be canceled.

Make sure the data being sent is formatted properly and matches the options and settings in the printer.

Click **OK** to clear the message.

504: The card data is missing or is not usable

The printer driver has detected invalid or missing data. The card will be canceled.

Make sure the data being sent is formatted properly and matches the options and settings in the printer.

Click **OK** to clear the message.

505: USB communication issue

An important driver component is not running. The card will be canceled.

1. Restart the computer. The component should start automatically.
2. If this message is displayed after restarting, notify your printer support contact.

Click **OK** to clear the message.

506: A card is currently processing

The printer is busy processing an interactive job. The card will be canceled.

Wait until the current card is complete and then try again.

Click **OK** to clear the message.

508: The printer is shutting down

The printer is shutting down or resetting. The card will be canceled.

When printer is powered back on, try again.

Click **OK** to clear the message.

509: The printer is offline or suspended

The printer must be online to print.

To complete the current card press the printer's **USER** button until the printer returns to the **Ready** state.

Click **OK** to clear the message, or click **Cancel** to cancel the card.

Driver SDK Messages

The following messages are issued when you use the Card Printer Driver Software Development Kit (SDK) to define your card printing. The messages are returned by the SDK to the application that sent the print job. These messages do not display on the printer LCD panel or on the PC that sent the job.



The messages returned to the SDK are determined by the printer model and the options installed on the printer. The following messages may not apply to all printers.

511: Cannot lock or unlock the printer. Locks are not installed.

Severity: Critical

512: Cannot lock or unlock the printer. The password is incorrect or invalid.

Severity: Critical

513: Cannot lock or unlock the printer. The printer is busy.

Severity: Notice

514: Cannot lock or unlock the printer. The cover is open.

Severity: Notice

515: Failed to lock or unlock the printer. The locks did not function.

Severity: Critical

516: Timeout expired before bar code could be read.

Severity: Notice

517: Wrong printer job ID.

Severity: Critical

